

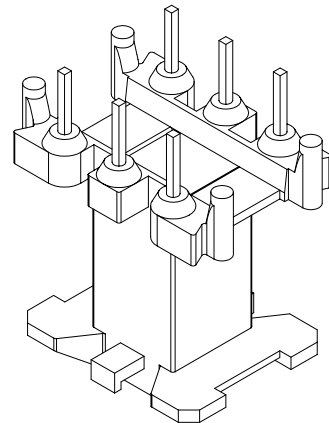
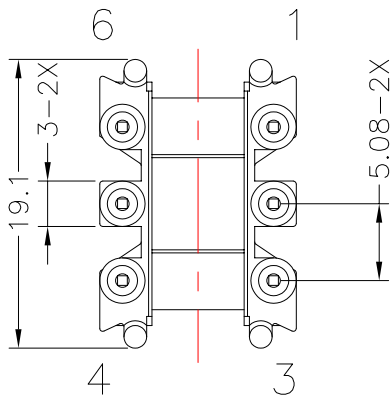
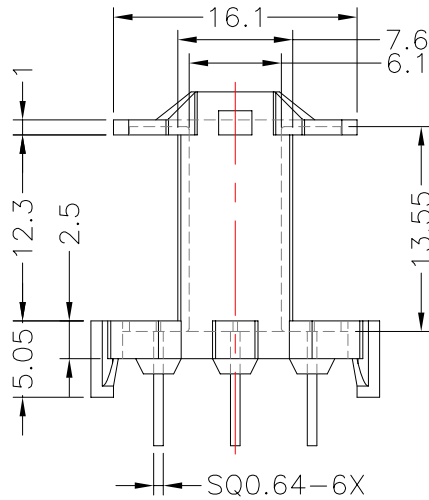
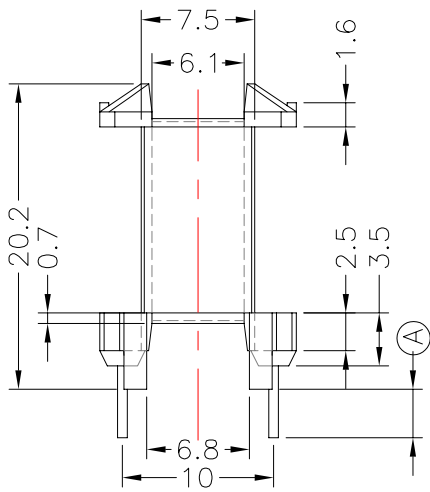
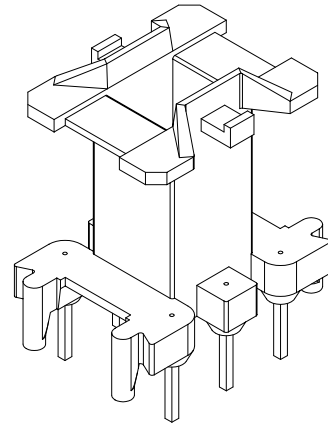
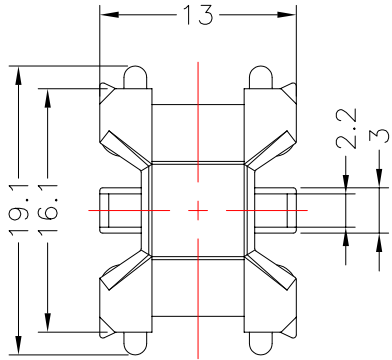


**TRANSFORMER BOBBIN INDUSTRIAL CO.,LTD.**

Tel : 86-769-88789999 Fax : 86-769-88789989  
 http:// tbi-tw.com e-mail : tb6688@ms46.hinet.net

REVISIONS

REV	SYM	DRAFTER	CHECKER	DATE
△5		S.Y.TANG	S.M.SHIH	12/21/06
△6		S.Y.TANG	S.M.SHIH	12/23/06
△7		S.Y.TANG	W.H.HSU	07/07/07



DWG NO. EF20-6P-TH-5.08-H-7

PART NO.	MATERIAL (BOBBIN)	MATERIAL (TERMINAL)	TERMINAL (PLATING)	PIN ALLOCATION	NOTE
TBI-205-03081.706	FR50 WT △5	C.P WIRE	Sn	ALL PIN (A)=3.2±0.2	
△6 TBI-205-03081.716	FR50 WT	C.P WIRE	Sn	CUT PIN #2(A)=3.1±0.2	52GEF20P2002
△7 TBI-205-03081.726	FR50 WT	C.P WIRE	Sn	CUT PIN #2,6(A)=3.2±0.2	
△7 TBI-205-03081.736	FR50 WT	C.P WIRE	Sn	CUT PIN #2,5(A)=3.2±0.2	

△6	TBI-205-03081.716	FR50 WT	C.P WIRE	Sn	CUT PIN #2(A)=3.1±0.2	52GEF20P2002
△7	TBI-205-03081.726	FR50 WT	C.P WIRE	Sn	CUT PIN #2,6(A)=3.2±0.2	
△7	TBI-205-03081.736	FR50 WT	C.P WIRE	Sn	CUT PIN #2,5(A)=3.2±0.2	

TOLERANCE: .X±0.15 .XX±0.10 .XXX±0.05 UNIT : m / m SCALE 2 : 1

Finish: 1. Pb wire Immersion Sn on terminal : Thickness:Sn plating,100,5 μm (200 μ inches) min,Base nickel 1-2 μm (40-80 μ inches) min.  
 2. CP wire Immersion Sn on terminal : Thickness:Sn plating,100,5 μm (200 μ inches) min.  
 3. Coplanarity deviation: 0.10 mm (0.004 inches) max.

REV 7