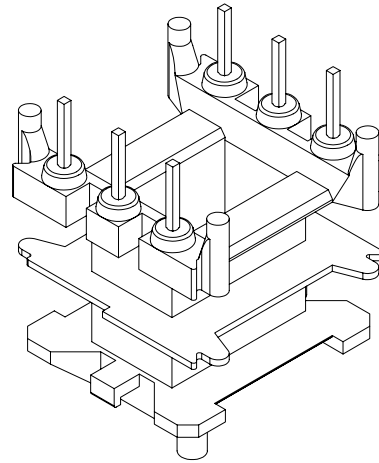
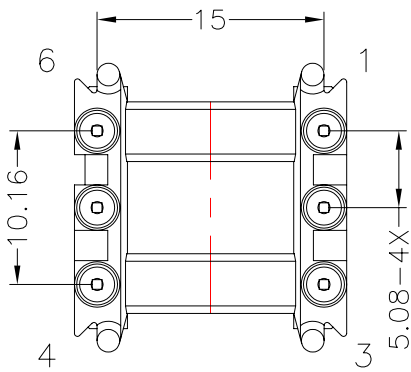
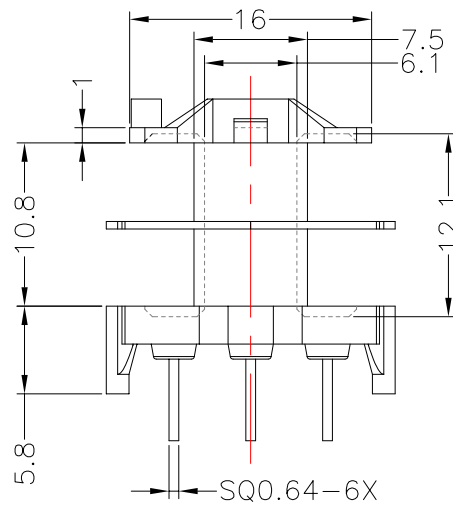
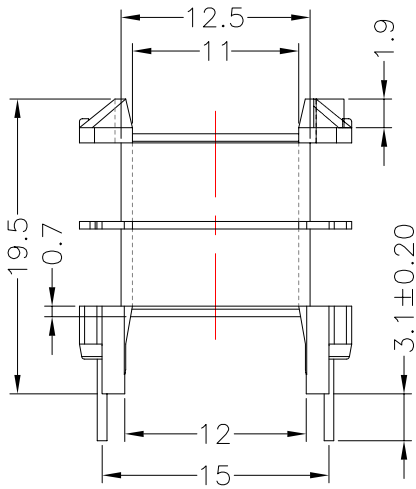
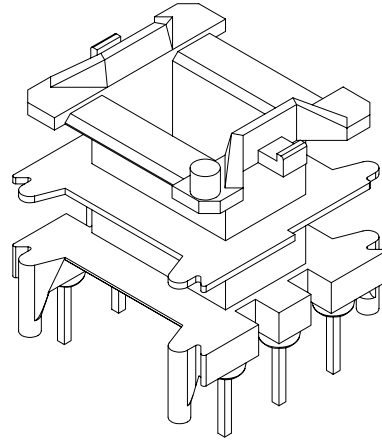
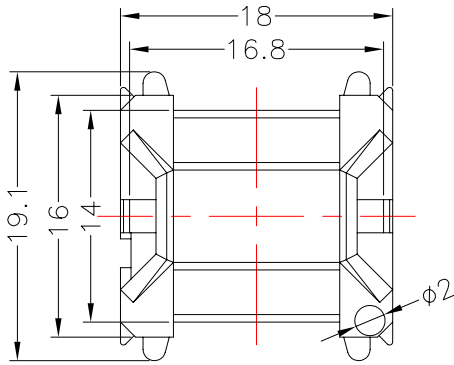




TRANSFORMER BOBBIN INDUSTRIAL CO.,LTD.

Tel : 86-769-88789999 Fax : 86-769-88789989
 http:// tbi-tw.com e-mail : tb6688@ms46.hinet.net

REVISIONS				
REV	SYM	DRAFTER	CHECKER	DATE
①		G.L.LEE	S.M.SHIH	08/22/06
②		YAN.TANG	G.F.YANG	12/10/09
③				



DWG NO.	EF20-6P-TH-5.08-G-11-2S				
PART NO.	MATERIAL (BOBBIN)	MATERIAL (TERMINAL)	TERMINAL (PLATING)	PIN ALLOCATION	NOTE
TBI-205-03072.1106	PM-9630(BK)	C,P WIRE	Sn	ALL PIN	52G00022
					H
TOLERANCE: .X \pm 0.15 .XX \pm 0.10 .XXX \pm 0.05					UNIT : m / m
Finish: 1. PB wire Immersion Sn on terminal : Thickness:Sn plating,100,5 μ m (200 μ inches) min,Base nickel 0.625 μ m (25 μ inches) min. 2. CP wire Immersion Sn on terminal : Thickness:Sn plating,100,5 μ m (200 μ inches) min. 3. Coplanarity deviation: 0.10 mm (0.004 inches) max.					SCALE 2 : 1

REV 1