

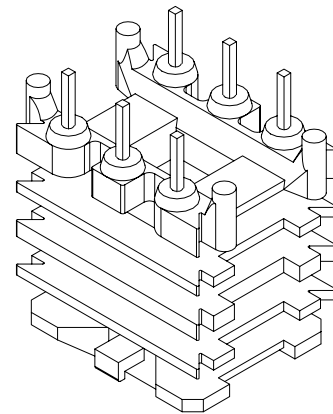
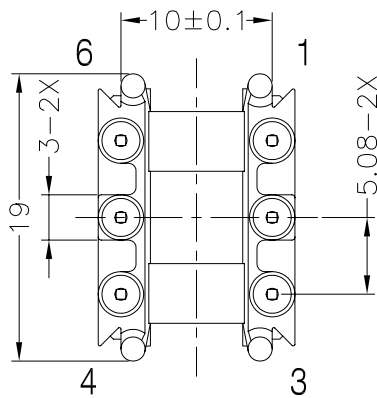
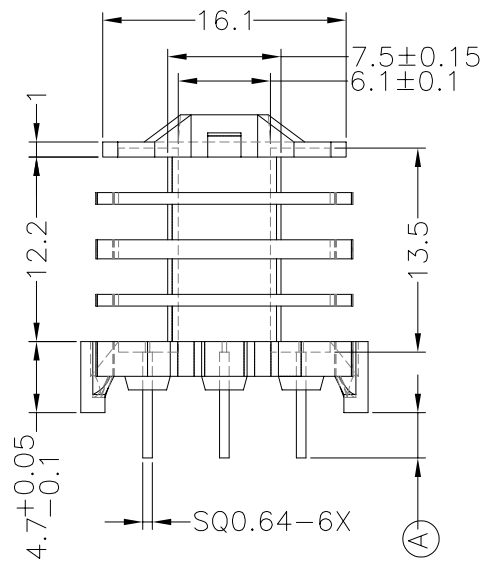
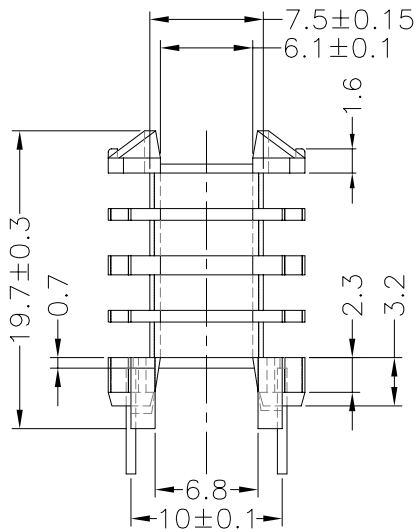
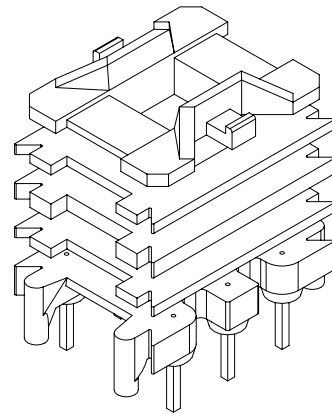
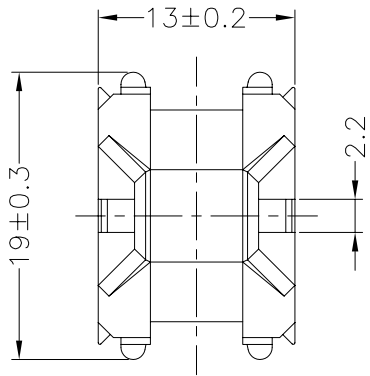


**TRANSFORMER BOBBIN
INDUSTRIAL CO.,LTD.**

Tel : 86-769-88789999 Fax : 86-769-88789989
http:// tbi-tw.com e-mail : tb6688@ms46.hinet.net

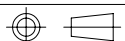
REVISIONS

| REV | SYM | DRAFTER | CHECKER | DATE |
|-----|-----|----------|----------|----------|
| ① | | X.X.YUAN | G.F.YANG | 09/07/11 |
| ② | | | | |
| ③ | | | | |



DWG NO. EF20-6P-TH-5.08-F-91-4S

| PART NO. | MATERIAL (BOBBIN) | MATERIAL (TERMINAL) | TERMINAL (PLATING) | PIN ALLOCATION | NOTE |
|--------------------|-------------------|---------------------|--------------------|------------------------|--------------|
| TBI-205-03064.9106 | FR530 BK | C,P WIRE | Sn | ALL PIN (A)=3.0±0.2 | 52GEF2020072 |
| TBI-205-03064.9116 | FR530 BK | C,P WIRE | Sn | PIN 2,5 NO (A)=3.0±0.2 | 52GEF2020071 |
| TBI-205-03064.9126 | FR530 BK | C,P WIRE | Sn | PIN 2,5 NO (A)=3.5±0.2 | 暫無刀模 |



TOLERANCE: 0<L<=4:±0.1 4<L<=16:±0.2 16<L<=63:±0.3 UNIT: m / m

SCALE 2 : 1

Finish: 1. Immersion gold on terminal : Thickness gold 0.075 μm (3 μ inches) min, Base nickel 0.625 μm (25 μ inches) min.
2. Immersion Sn on terminal : Terminal:Sn plating,100, 5 μm (200 μ inches) min , Base nickel 0.625 μm (25 μ inches) min.
3. Coplanarity deviation: 0.10 mm (0.004 inches) max.

REV 1