

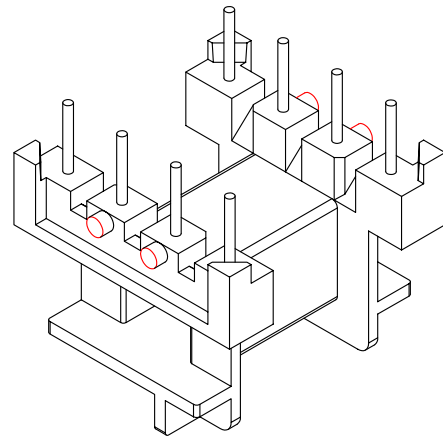
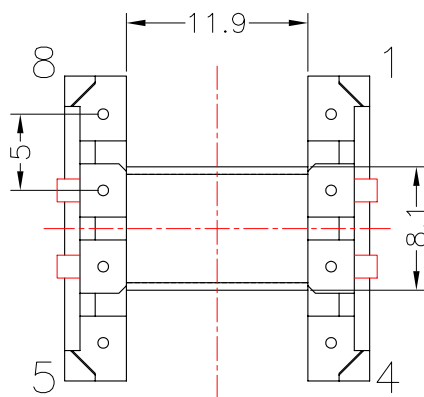
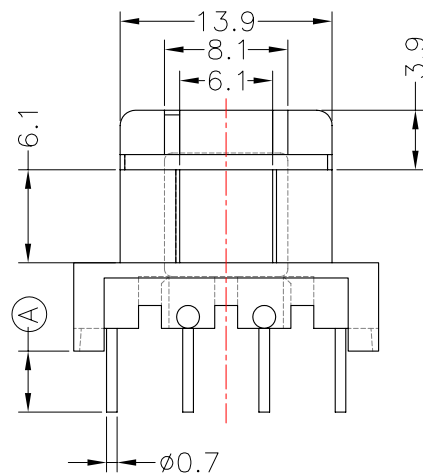
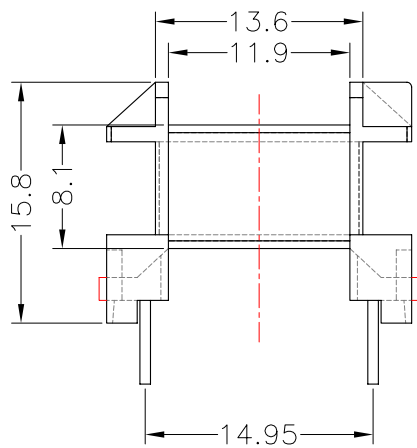
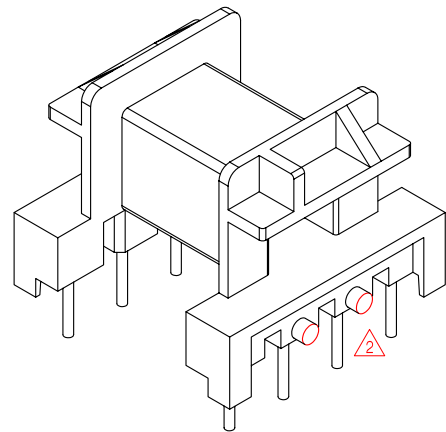
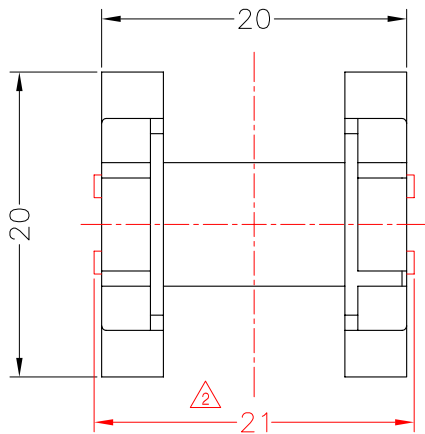


**TRANSFORMER BOBBIN  
INDUSTRIAL CO.,LTD.**

Tel : 86-769-88789999 Fax : 86-769-88789989  
http:// tbi-tw.com e-mail : tb6688@ms46.hinet.net

REVISIONS

REV	SYM	DRAFTER	CHECKER	DATE
①		S.Y.TANG	G.F.YANG	11/20/07
②		X.H.GU	G.F.YANG	08/10/11
③				



DWG NO.	EF20-8P-TH-5.0-C-21				
PART NO.	MATERIAL (BOBBIN)	MATERIAL (TERMINAL)	TERMINAL (PLATING)	PIN ALLOCATION	NOTE
TBI-205-03031.2106	AM-113	C.P WIRE	Sn	ALL PIN (A)=4.0±0.5	
TBI-205-03031.2116	AM-113	C.P WIRE	Sn	ALL PIN (A)=5.5±0.5	
TBI-205-03031.2126	AM-113	C.P WIRE	Sn	PIN 5.7.8. NO (A)=3.2±0.2	
TBI-205-03031.2136	AM-113	C.P WIRE	Sn	PIN 7.8. NO (A)=2.5±0.2	
TBI-205-03031.2146	AM-113	C.P WIRE	Sn	PIN 5.6.7.8.NO (A)=3.2±0.2	
	TOLERANCE: .X±0.15 .XX±0.10 .XXX±0.05			UNIT : m / m	SCALE 2 : 1

Finish: 1. Pb wire Immersion Sn on terminal : Thickness:Sn plating,100,5 μm (200 μ inches) min,Base nickel 0.625 μm (25 μ inches) min.  
2. CP wire Immersion Sn on terminal : Thickness:Sn plating,100,5 μm (200 μ inches) min.  
3. Coplanarity deviation: 0.10 mm (0.004 inches) max.

REV	2
-----	---