

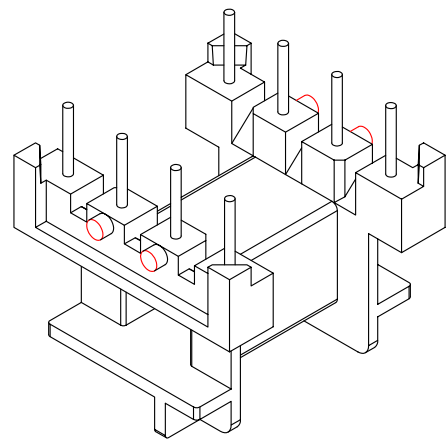
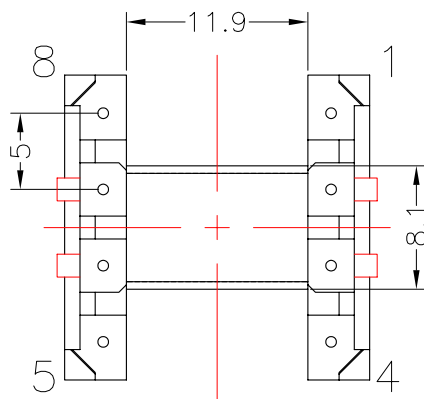
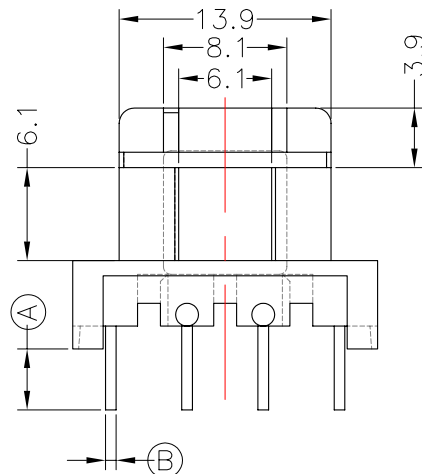
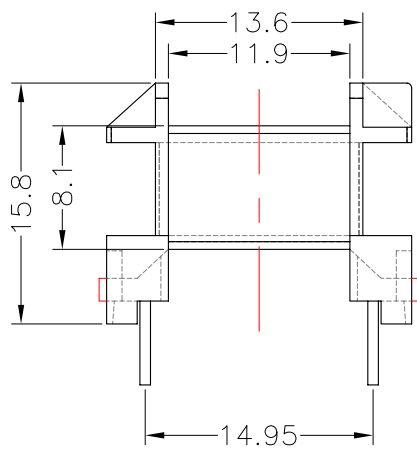
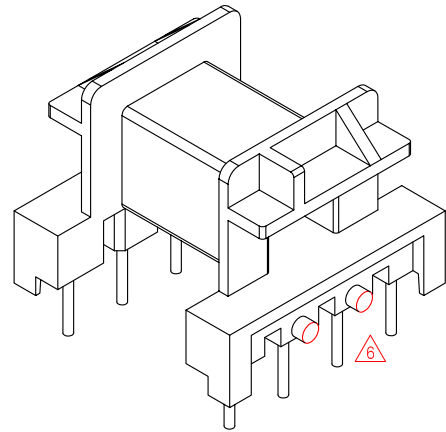
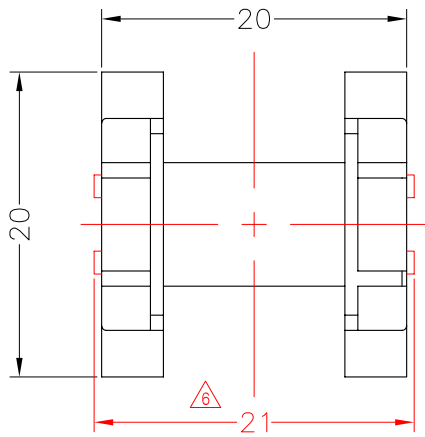


**TRANSFORMER BOBBIN  
INDUSTRIAL CO.,LTD.**

Tel : 86-769-88789999 Fax : 86-769-88789989  
http:// tbi-tw.com e-mail : tb6688@ms46.hinet.net

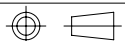
REVISIONS

REV	SYM	DRAFTER	CHECKER	DATE
△4		S.Y.TANG	W.H.HSU	08/18/07
△5		S.Y.TANG	G.F.YANG	02/13/08
△6		X.H.GU	G.F.YANG	08/10/11



DWG NO. EF20-8P-TH-5.0-C-14

PART NO.	MATERIAL (BOBBIN)	MATERIAL (TERMINAL)	TERMINAL (PLATING)	PIN ALLOCATION	NOTE
TBI-205-03031.1406	T375J	C.P WIRE	Sn	ALL PIN(A)=4.0±0.5(B)=φ0.7	52GEF20H2005 △3
TBI-205-03031.1416	T375J	C.P WIRE	Sn	ALL PIN(A)=5.5±0.5(B)=φ0.7	52GEF20H2004
TBI-205-03031.1426	T375J	C.P WIRE	Sn	CUT PIN# 5,7,8(A)=3.2±0.2(B)=φ0.7	52G000204
TBI-205-03031.1436	T375J	C.P WIRE	Sn	CUT PIN# 7,8(A)=2.5±0.2(B)=φ0.7	52G000207
TBI-205-03031.1446	T375J	C.P WIRE	Sn	CUT PIN# 5,6,7,8(A)=3.2±0.2(B)=φ0.7	52G000209
△5 TBI-205-03031.1456	T375J	C.P WIRE	Sn	CUT PIN# 2,7(A)=4±0.5(B)=φ0.7	
△5 TBI-205-03031.1466	T375J	C.P WIRE	Sn	CUT PIN#4,(A)=3.3±0.2(B)=φ0.7	
△5 F5 TBI-205-03031.1476	T375J	C.P WIRE	Sn	ALL PIN(A)=4.0±0.5(B)=SQ 0.5	



TOLERANCE: .X±0.15 .XX±0.10 .XXX±0.05

UNIT : m / m

SCALE 2 : 1

Finish: 1. Pb wire Immersion Sn on terminal : Thickness:Sn plating,100,5 μm (200 μ inches) min,Base nickel 0.625 μm (25 μ inches) min.  
2. CP wire Immersion Sn on terminal : Thickness:Sn plating,100,5 μm (200 μ inches) min.  
3. Coplanarity deviation: 0.10 mm (0.004 inches) max.

REV 6