

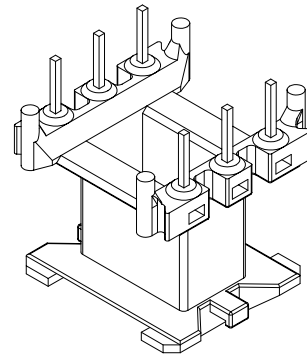
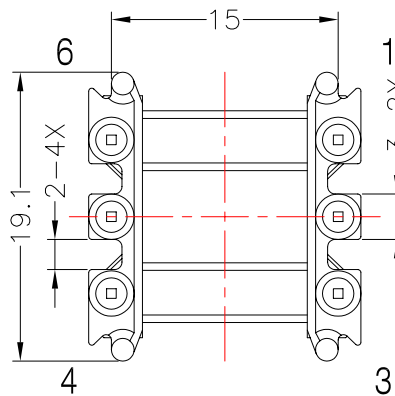
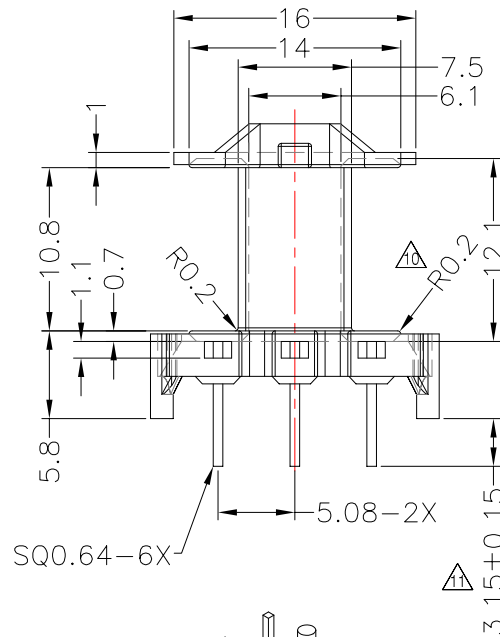
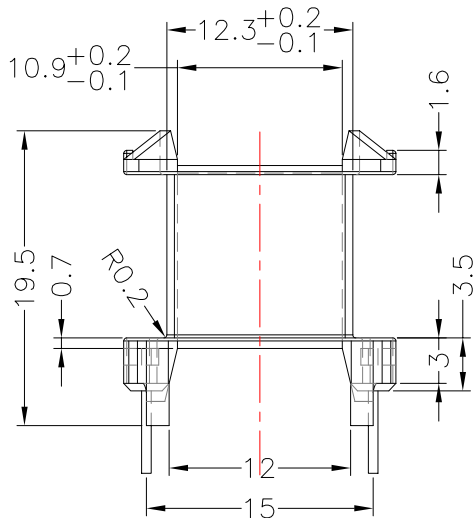
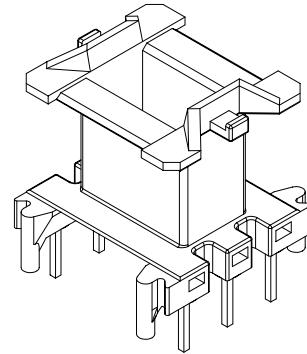
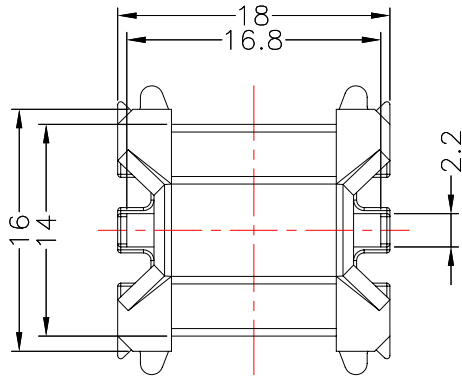


**TRANSFORMER BOBBIN
INDUSTRIAL CO.,LTD.**

Tel : 86-769-88789999 Fax : 86-769-88789989
http:// tbi-tw.com e-mail : tb6688@ms46.hinet.net

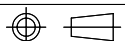
REVISIONS

REV	SYM	DRAFTER	CHECKER	DATE
△9		S.Y.TANG	S.M.SHIH	12/04/06
△10		X.H.GU	G.FYANG	12/29/07
△11		S.Y.TANG	G.FYANG	06/01/07



DWG NO. EF20-6P-TH-5.08-B-7

PART NO.	MATERIAL (BOBBIN)	MATERIAL (TERMINAL)	TERMINAL (PLATING)	PIN ALLOCATION	NOTE
TBI-205-03021.706	6410G5 or PA66-VG30 (Red)	△9 CP WIRE	Sn	ALL PIN	
TBI-205-03021.716	6410G5 or PA66-VG30 (Red)	△9 CP WIRE	Sn	CUT PIN # 5	
TBI-205-03021.726	6410G5 or PA66-VG30 (Red)	△9 CP WIRE	Sn	CUT PIN # 3 , 6	
△10 TBI-205-03021.736	6410G5 or PA66-VG30 (Red)	CP WIRE	Sn	CUT PIN # 2 , 5	



TOLERANCE: .X±0.15 .XX±0.10 .XXX±0.05

UNIT : m / m

SCALE 2 : 1

Finish: 1. Pb wire Immersion Sn on terminal : Thickness:Sn plating,100,5 μm (200 μ inches) min,Base nickel 0.625 μm (25 μ inches) min.
2. CP wire Immersion Sn on terminal : Thickness:Sn plating,100,5 μm (200 μ inches) min.
3. Coplanarity deviation: 0.10 mm (0.004 inches) max.

REV 11