

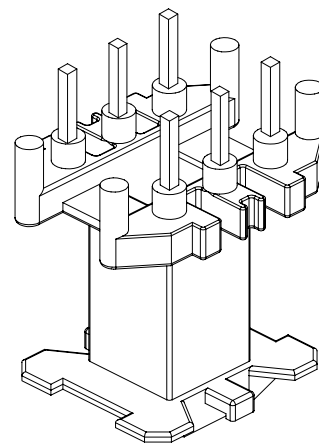
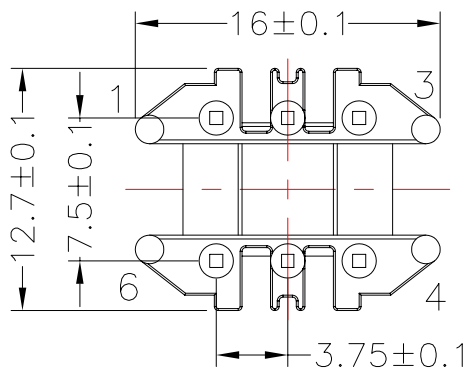
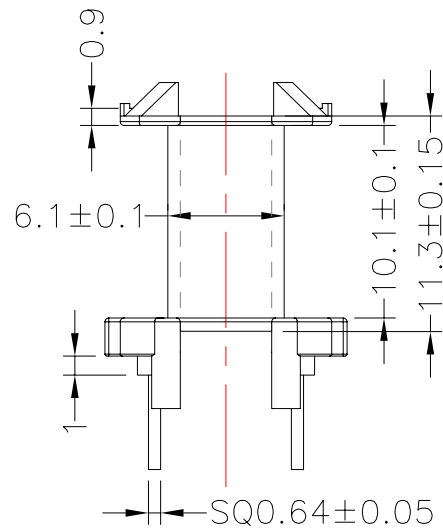
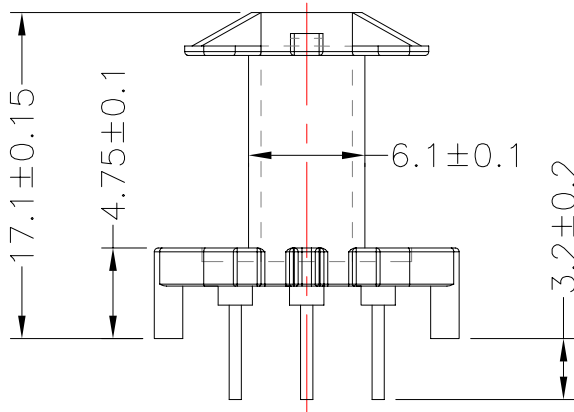
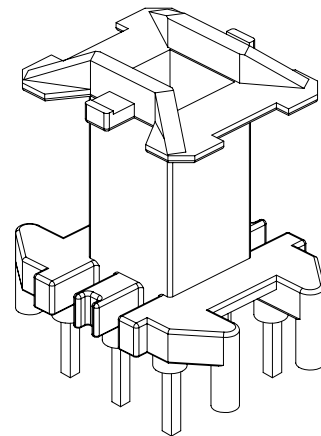
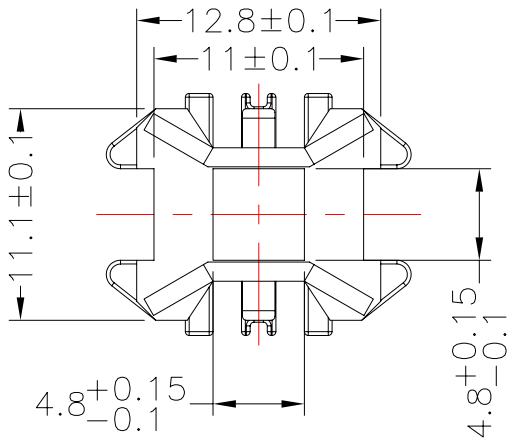


**TRANSFORMER BOBBIN
INDUSTRIAL CO.,LTD.**

Tel : 86-769-88789999 Fax : 86-769-88789989
http:// tbi-tw.com e-mail : tb6688@ms46.hinet.net

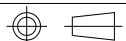
REVISIONS

REV	SYM	DRAFTER	CHECKER	DATE
1		YAN.TANG	G.F.YANG	05/26/10
2				
3				



DWG NO. EF16-6P-TH-3.75-B9-11

PART NO.	MATERIAL (BOBBIN)	MATERIAL (TERMINAL)	TERMINAL (PLATING)	PIN ALLOCATION	NOTE
TBI-205-02291.1106	PM-9630	CP WIRE	Sn	ALL PIN	
TBI-205-02291.1116	PM-9630	CP WIRE	Sn	CUT PIN # 1 ,5	H
TBI-205-02291.1126	PM-9630	CP WIRE	Sn	CUT PIN # 5	
TBI-205-02291.1136	PM-9630	CP WIRE	Sn	CUT PIN # 2,3, 5	



TOLERANCE: .X±0.15 .XX±0.10 .XXX±0.05

UNIT : m / m

SCALE 2.5 : 1

Finish: 1.PB wire Immersion Sn on terminal : Thickness:Sn plating,100,5 μm (200 μ inches) min,Base nickel 0.625 μm (25 μ inches) min.
2.CP wire Immersion Sn on terminal : Thickness:Sn plating,100,5 μm (200 μ inches) min.
3. Coplanarity deviation: 0.10 mm (0.004 inches) max.

REV 1