

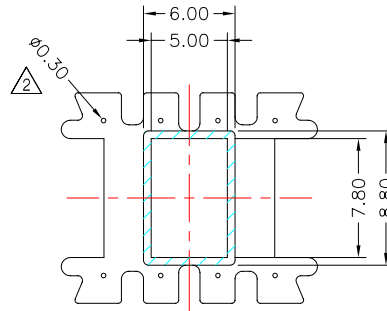
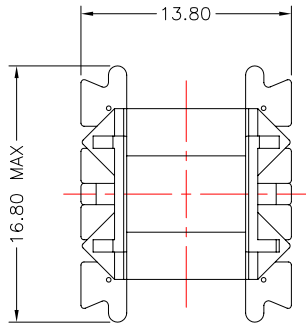


**TRANSFORMER BOBBIN
INDUSTRIAL CO.,LTD.**

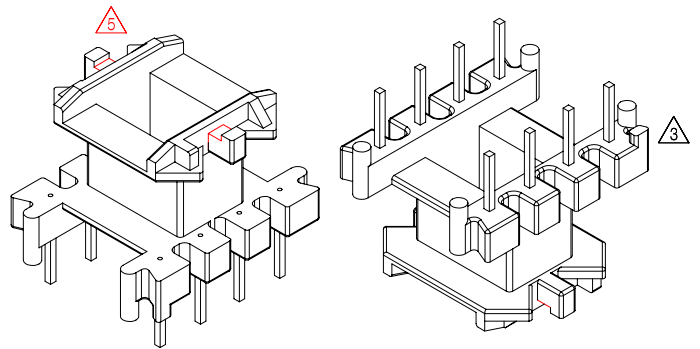
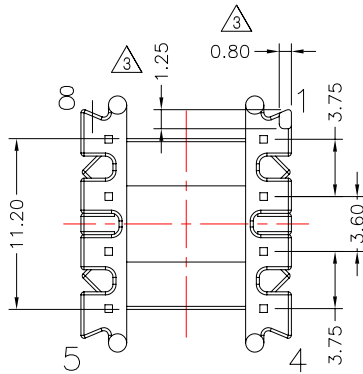
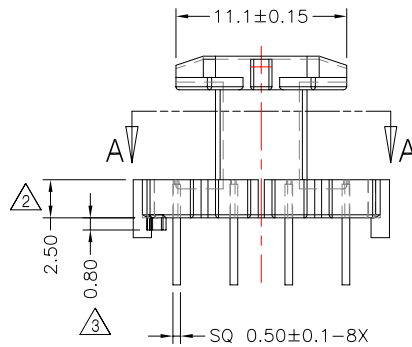
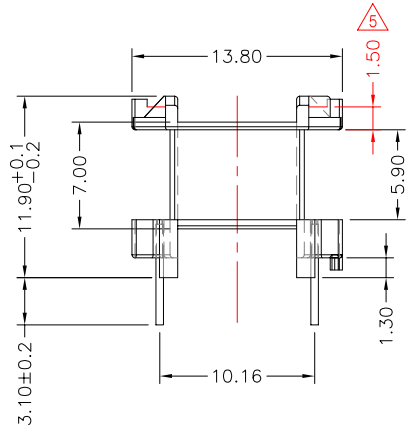
Tel : 86-769-88789999 Fax : 86-769-88789989
http:// tbi-tw.com e-mail : tb6688@ms46.hinet.net

REVISIONS

REV	SYM	DRAFTER	CHECKER	DATE
3		X.H.GU	G.F.YANG	01/19/11
4		X.X.YUAN	G.F.YANG	03/30/11
5		X.H.GU	G.F.YANG	10/18/13



Section A-A



DWG NO. EF16-8P-TH-B2-75

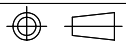
PART NO.	MATERIAL (BOBBIN)	MATERIAL (TERMINAL)	TERMINAL (PLATING)	PIN ALLOCATION	NOTE
----------	-------------------	---------------------	--------------------	----------------	------

TBI-205-02221.7506	Nylon FR52G30(BK) 4	CP WIRE	Sn	ALL PIN	
--------------------	---------------------	---------	----	---------	--

TBI-205-02221.7516	Nylon FR52G30(BK) 4	CP WIRE	Sn	CUT PIN #4,7,8	H
--------------------	---------------------	---------	----	----------------	---

TBI-205-02221.7526	Nylon FR52G30(BK) 4	CP WIRE	Sn	CUT PIN #8	
--------------------	---------------------	---------	----	------------	--

TBI-205-02221.7536	Nylon FR52G30(BK) 4	CP WIRE	Sn	CUT PIN #5,6,7,8	
--------------------	---------------------	---------	----	------------------	--



TOLERANCE: 0<L<=4 ±0.1 4<L<=16 ±0.2 16<L<=63 ±0.3 pin pitch:±0.2

UNIT : m / m

SCALE 2 : 1

Finish: 1. Pb wire Immersion Sn on terminal : Thickness:Sn plating,100,5 μm (200 μ inches) min,Base nickel 0.625 μm (25 μ inches) min.
2. CP wire Immersion Sn on terminal : Thickness:Sn plating,100,5 μm (200 μ inches) min.
3. Coplanarity deviation: 0.10 mm (0.004 inches) max.

REV 5