

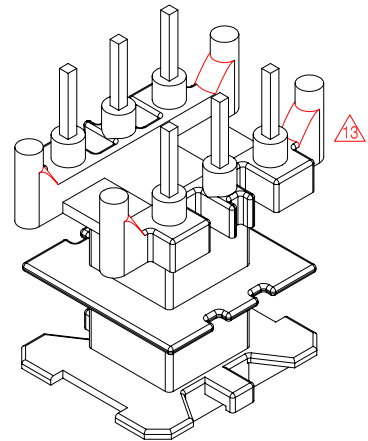
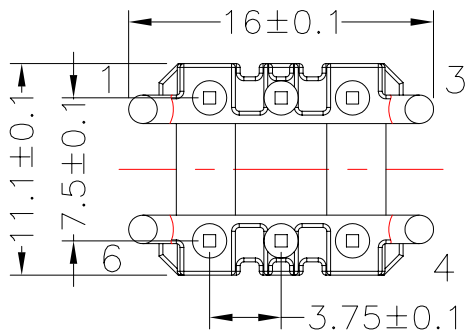
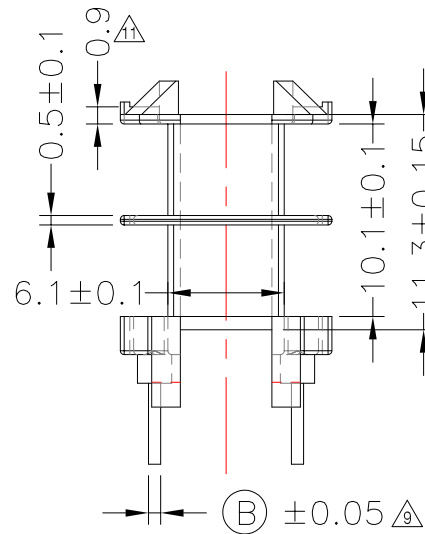
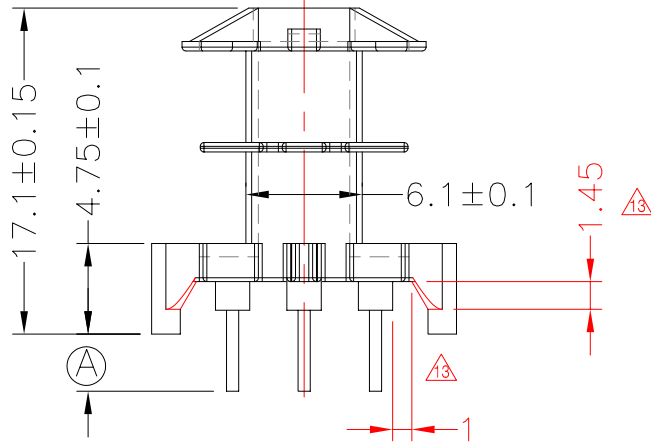
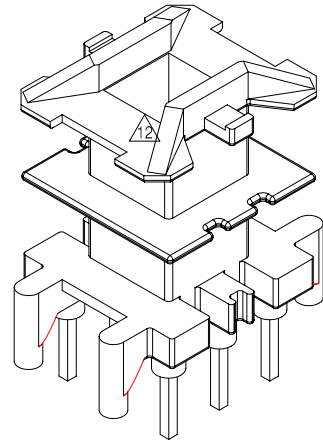
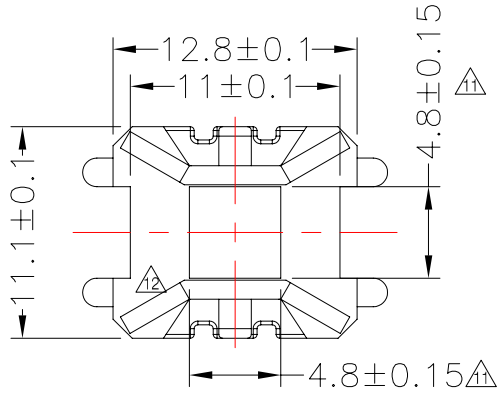


**TRANSFORMER BOBBIN
INDUSTRIAL CO.,LTD.**

Tel : 86-769-88789999 Fax : 86-769-88789999
http:// tbi-tw.com e-mail : tb6688@ms46.hinet.net

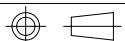
REVISIONS

REV	SYM	DRAFTER	CHECKER	DATE
△1		YAN.TANG	W.H.HSU	11/12/07
△2		YAN.TANG	G.F.YANG	02/20/09
△3		G.F.YANG	W.H.HSU	08/24/10



DWG NO. EF16-6P-TH-3.75-A-4-2S

PART NO.	MATERIAL (BOBBIN)	MATERIAL (TERMINAL)	TERMINAL (PLATING)	PIN ALLOCATION	NOTE
TBI-205-02012.406	PA6T	C.P WIRE	Sn	ALL PIN (A)=3±0.2,(B)=∅0.8	
TBI-205-02012.416	PA6T	C.P WIRE	Sn	PIN CUT # 2,5,(A)=3±0.2 (B)=∅0.8	H
△ TBI-205-02012.426	PA6T	C.P WIRE	Sn	ALL PIN (A)=3.6±0.3,(B)=∅0.8	
△ TBI-205-02012.436	PA6T	C.P WIRE	Sn	PIN CUT # 2,5,(A)=3.6±0.3,(B)=∅0.8	
△ TBI-205-02012.446	PA6T	C.P WIRE	Sn	PIN CUT # 2,5,(A)=3.1±0.2,(B)=SQ0.64	
△ TBI-205-02012.456	PA6T	C.P WIRE	Sn	PIN CUT # 2,5,(A)=3.2±0.2,(B)=∅0.8	



TOLERANCE: .X±0.15 .XX±0.10 .XXX±0.05

UNIT : m / m

SCALE 2.5 : 1

Finish: 1.Pb wire Immersion Sn on terminal : Thickness:Sn plating,100,5 μm (200 μ inches) min,Base nickel 0.625 μm (25 μ inches) min.
2.CP wire Immersion Sn on terminal : Thickness:Sn plating,100,5 μm (200 μ inches) min.
3. Coplanarity deviation: 0.10 mm (0.004 inches) max.

REV 13