

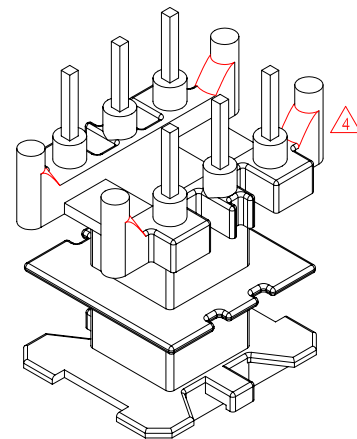
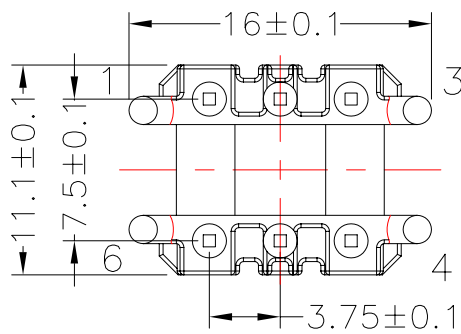
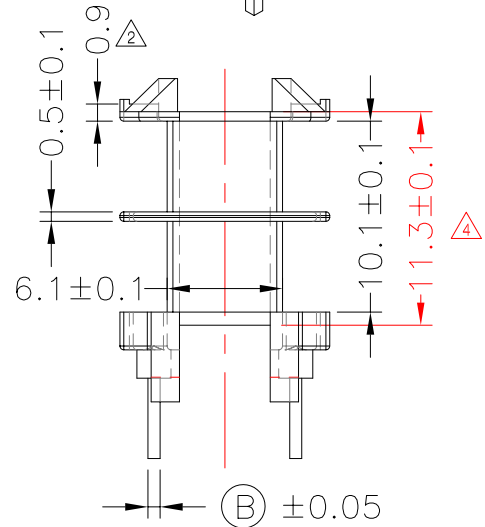
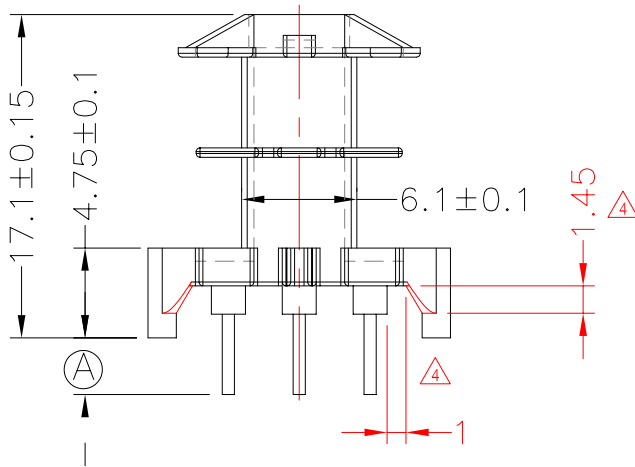
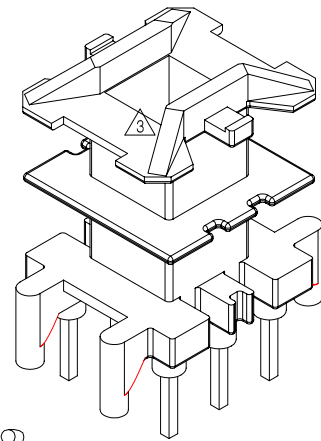
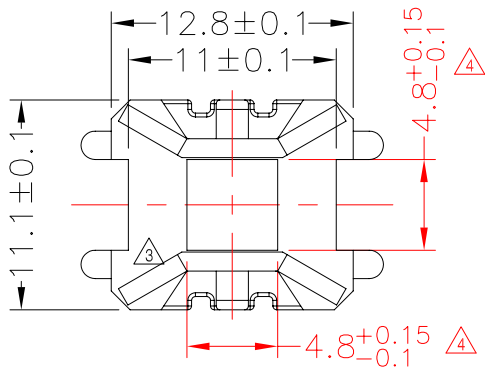


# TRANSFORMER BOBBIN INDUSTRIAL CO.,LTD.

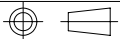
Tel : 86-769-88789999 Fax : 86-769-88789989  
 http:// tbi-tw.com e-mail : tb6688@ms46.hinet.net

## REVISIONS

REV	SYM	DRAFTER	CHECKER	DATE
△2		YAN.TANG	G.F.YANG	04/26/08
△3		YAN.TANG	G.F.YANG	02/20/09
△4		H.X.DUAN	G.F.YANG	08/21/10



DWG NO.	EF16-6P-TH-3.75-A-11-2S				
PART NO.	MATERIAL (BOBBIN)	MATERIAL (TERMINAL)	TERMINAL (PLATING)	PIN ALLOCATION	NOTE
TBI-205-02012.1106	PM-9630	C.P WIRE	Sn	ALL PIN (A)=3±0.2,(B)=∅0.8	
TBI-205-02012.1116	PM-9630	C.P WIRE	Sn	PIN CUT # 2,5,(A)=3±0.2,(B)=∅0.8	H
TBI-205-02012.1126	PM-9630	C.P WIRE	Sn	ALL PIN (A)=3.6±0.3,(B)=∅0.8	
TBI-205-02012.1136	PM-9630	C.P WIRE	Sn	PIN CUT # 2,5,(A)=3.6±0.3,(B)=∅0.8	
TBI-205-02012.1146	PM-9630	C.P WIRE	Sn	PIN CUT # 2,5,(A)=3.2±0.2,(B)=∅0.8	
TBI-205-02012.1156	PM-9630	C.P WIRE	Sn	PIN CUT # 2,5,(A)=3.1±0.2,(B)=SQ0.64	
TBI-205-02012.1166	PM-9630	C.P WIRE	Sn	PIN CUT # 2,3,(A)=3±0.2,(B)=∅0.8	
TBI-205-02012.1176	PM-9630	C.P WIRE	Sn	PIN CUT # 2,5,(A)=4.0±0.2,(B)=SQ0.64	



TOLERANCE: .X±0.15 .XX±0.10 .XXX±0.05

UNIT : m / m

SCALE 2.5 : 1

Finish: 1.Pb wire Immersion Sn on terminal : Thickness:Sn plating,100,5 μm (200 μ inches) min,Base nickel 0.625 μm (25 μ inches) min.  
 2.CP wire Immersion Sn on terminal : Thickness:Sn plating,100,5 μm (200 μ inches) min.  
 3. Coplanarity deviation: 0.10 mm (0.004 inches) max.

REV 4