

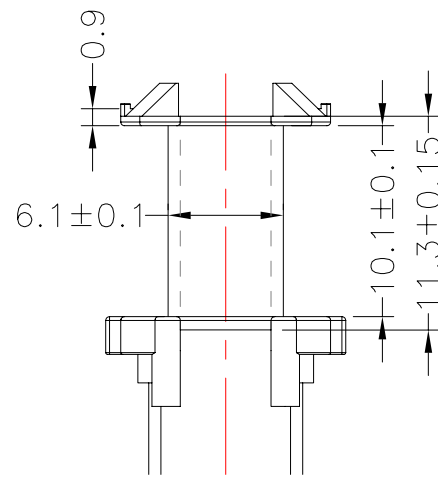
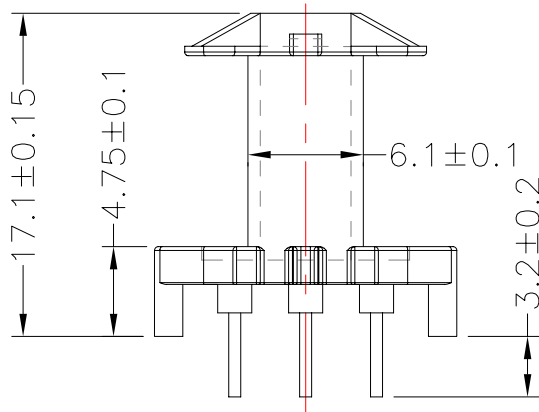
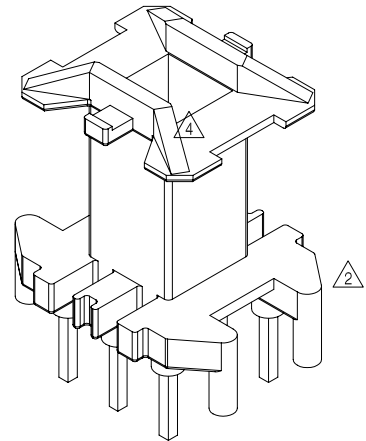
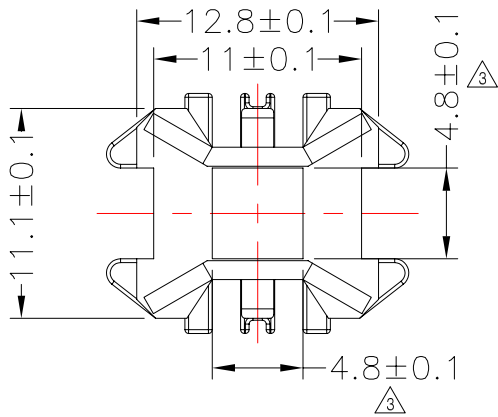


**TRANSFORMER BOBBIN INDUSTRIAL CO.,LTD.**

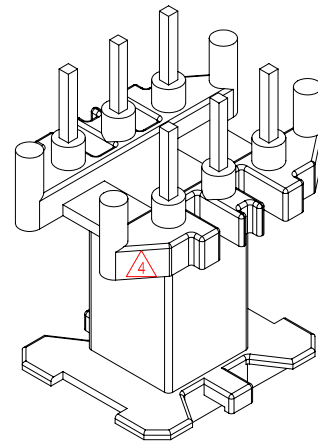
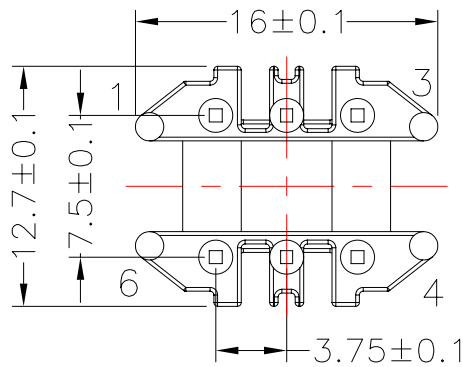
Tel : 86-769-88789999 Fax : 86-769-88789989  
 http:// tbi-tw.com e-mail : tb6688@ms46.hinet.net

REVISIONS

REV	SYM	DRAFTER	CHECKER	DATE
②		S.Y.TANG	G.F.YANG	11/20/07
③		S.Y.TANG	G.F.YANG	02/20/09
④		G.F.YANG	W.H.HSU	02/27/10

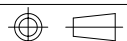


SQ0.64±0.05



DWG NO. EF16-6P-TH-3.75-A-91

PART NO.	MATERIAL (BOBBIN)	MATERIAL (TERMINAL)	TERMINAL (PLATING)	PIN ALLOCATION	NOTE
TBI-205-02011.9106	FR530 BK	CP WIRE	Sn	ALL PIN	
TBI-205-02011.9116	FR530 BK	CP WIRE	Sn	CUT PIN#2,5	H
TBI-205-02011.9126	FR530 BK	CP WIRE	Sn	CUT PIN#5	



TOLERANCE: .X±0.15 .XX±0.10 .XXX±0.05

UNIT : m / m

SCALE 2.5 : 1

Finish: 1.PB wire Immersion Sn on terminal : Thickness:Sn plating,100,5 μm (200 μ inches) min,Base nickel 0.625 μm (25 μ inches) min.  
 2.CP wire Immersion Sn on terminal : Thickness:Sn plating,100,5 μm (200 μ inches) min.  
 3. Coplanarity deviation: 0.10 mm (0.004 inches) max.

REV 4