

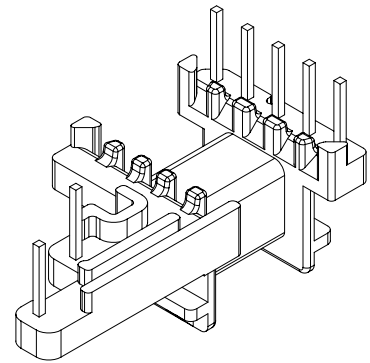
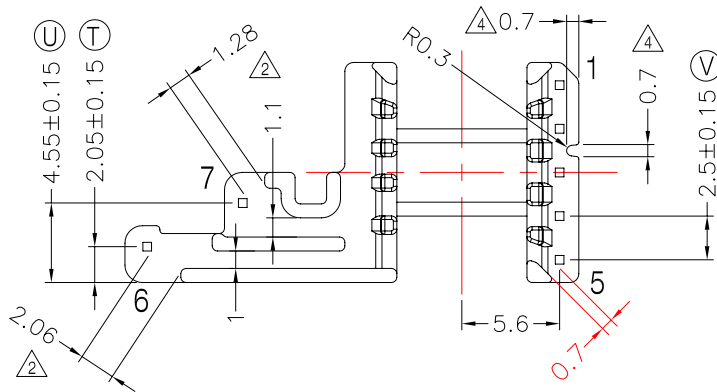
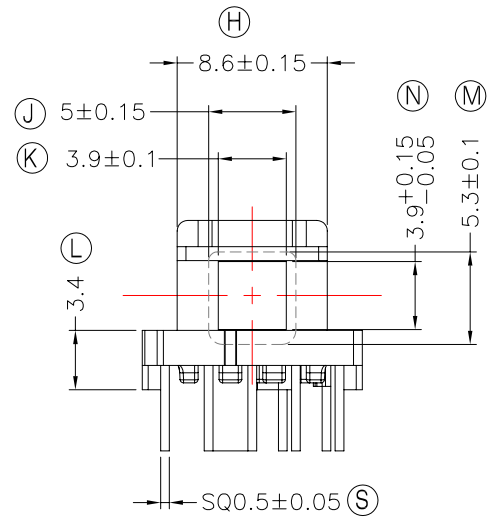
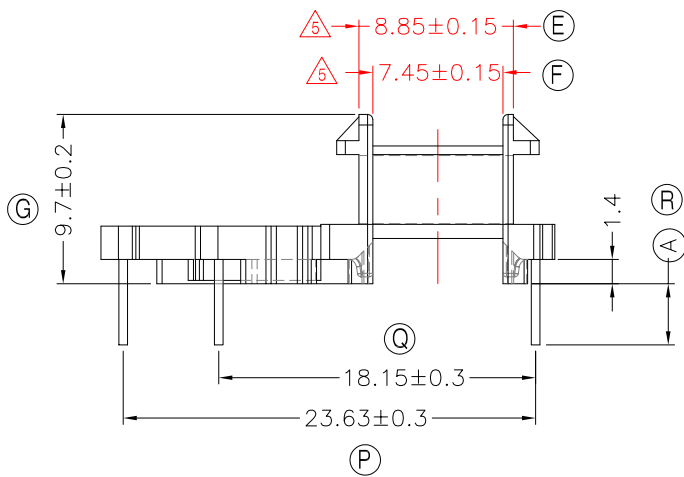
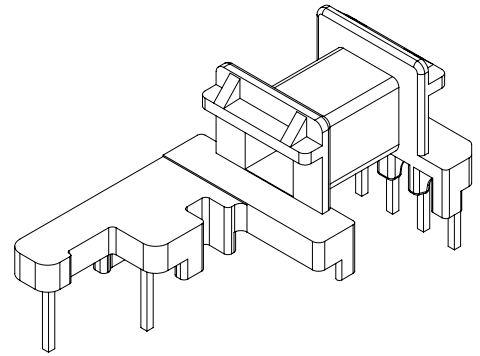
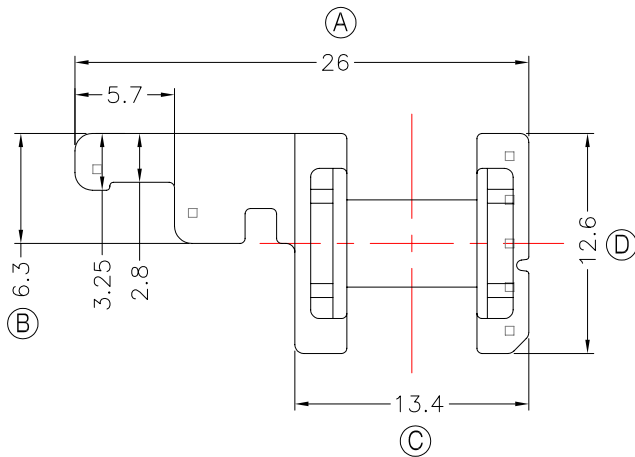


**TRANSFORMER BOBBIN
INDUSTRIAL CO.,LTD.**

Tel : 86-769-88789999 Fax : 86-769-88789989
http:// tbi-tw.com e-mail : tb6688@ms46.hinet.net

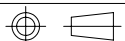
REVISIONS

REV	SYM	DRAFTER	CHECKER	DATE
3		X.H.GU	G.F.YANG	09/26/13
4		X.H.GU	G.F.YANG	04/23/14
5		X.H.GU	G.F.YANG	05/15/14



DWG NO. EF12.6-7P-TH-A4-12

PART NO.	MATERIAL (BOBBIN)	MATERIAL (TERMINAL)	TERMINAL (PLATING)	PIN ALLOCATION	NOTE
TBI-205-01141.1206	PM-9820	CP WIRE	Sn	ALL PIN (A)=3.5±0.2	S
TBI-205-01141.1216	PM-9820	CP WIRE	Sn	ALL PIN (A)=4.5±0.2	H
TBI-205-01141.1226	PM-9820	CP WIRE	Sn	ALL PIN (A)=3.0±0.2	
TBI-205-01141.1236	PM-9820	CP WIRE	Sn	CUT PIN#3 (A)=3.0±0.2	
TBI-205-01141.1246	PM-9820	CP WIRE	Sn	CUT PIN#3 (A)=2.3±0.2	



TOLERANCE: 0<L<=4:±0.1 4<L<=16:±0.2 16<L<=63:±0.3

UNIT : m / m

SCALE 1 : 1

Finish: 1. PB wire Immersion Sn on terminal : Thickness:Sn plating,100,5 μm (200 μ inches) min,Base nickel 0.625 μm (25 μ inches) min.
2. CP wire Immersion Sn on terminal : Thickness:Sn plating,100,5 μm (200 μ inches) min.
3. Coplanarity deviation: 0.10 mm (0.004 inches) max.

REV 5