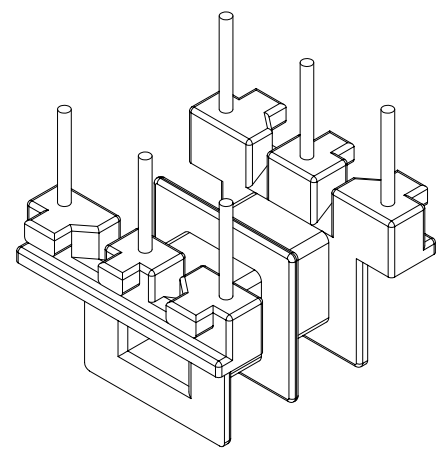
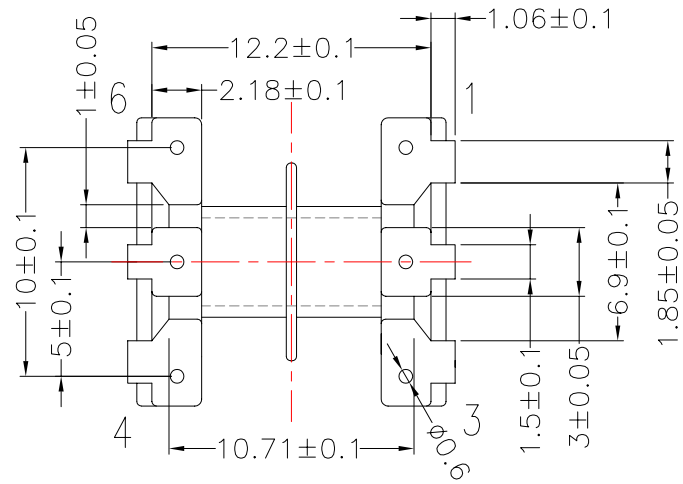
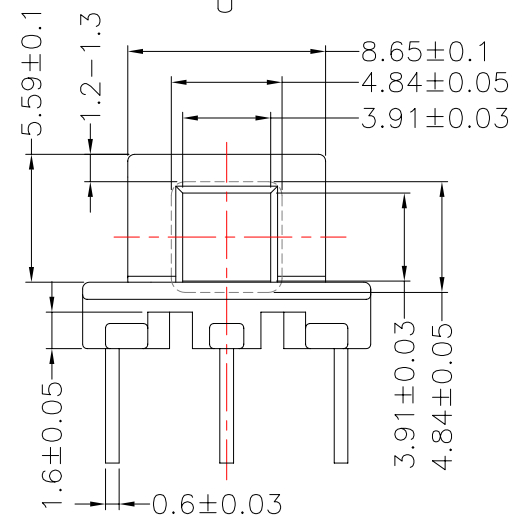
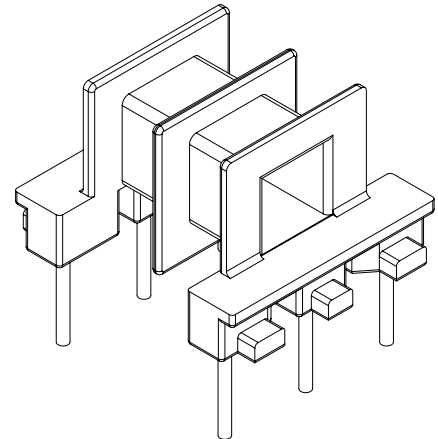
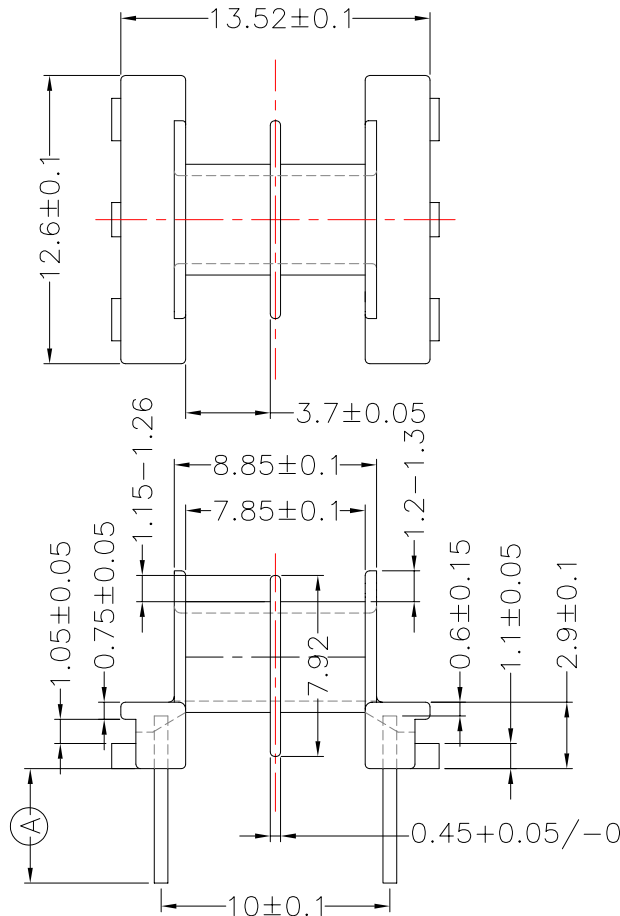




**TRANSFORMER BOBBIN
INDUSTRIAL CO.,LTD.**

Tel : 86-769-88789999 Fax : 86-769-88789989
 http:// tbi-tw.com e-mail : tb6688@ms46.hinet.net

REVISIONS				
REV	SYM	DRAFTER	CHECKER	DATE
5		T.S.LII	W.H.HSU	08/05/04
6		T.S.LII	W.H.HSU	08/20/04
7		T.S.LII	W.H.HSU	07/24/06



DWG NO.	EF12.6-6P-TH-5.0-B-1-2S				
PART NO.	MATERIAL (BOBBIN)	MATERIAL (TERMINAL)	TERMINAL (PLATING)	PIN ALLOCATION	NOTE
TBI-205-01022.106	PM-9630	CP WIRE	Sn	ALL PIN (A) = 5.0±0.3	
TBI-205-01022.116	PM-9630	CP WIRE	Sn	NO PIN # 2, 5 (A) = 5.0±0.3	
TBI-205-01022.126	PM-9630	CP WIRE	Sn	NO PIN # 5 (A) = 5.0±0.3	
TBI-205-01022.136	PM-9630	CP WIRE	Sn	NO PIN # 2, 5 (A) = 3.5±0.3	
	TOLERANCE: .X±0.15 .XX±0.10 .XXX±0.05			UNIT : m / m	SCALE 3 : 1

Finish: 1. PB wire Immersion Sn on terminal : Thickness:Sn plating,100,5 μm (200 μ inches) min,Base nickel 0.625 μm (25 μ inches) min.
 2. CP wire Immersion Sn on terminal : Thickness:Sn plating,100,5 μm (200 μ inches) min.
 3. Coplanarity deviation: 0.10 mm (0.004 inches) max.

REV	7
-----	---