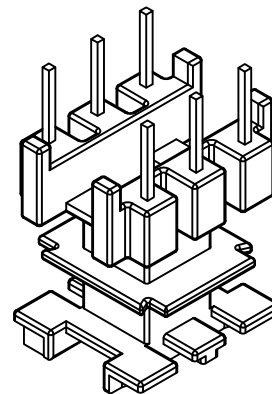
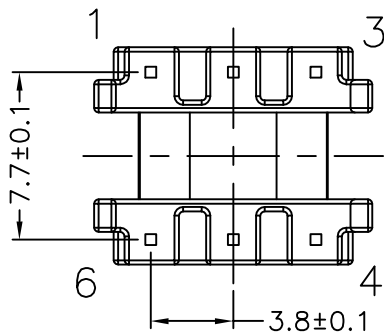
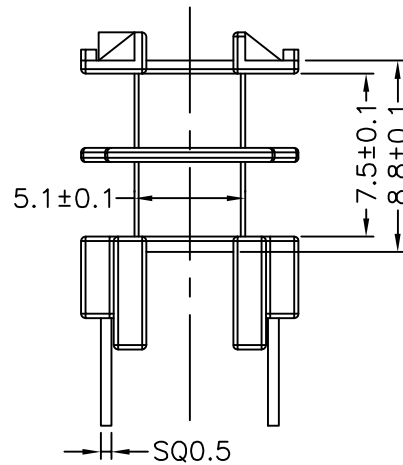
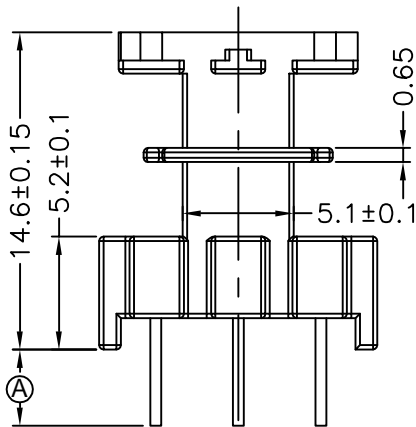
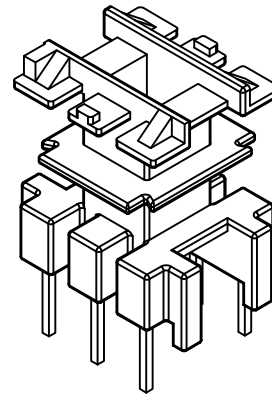
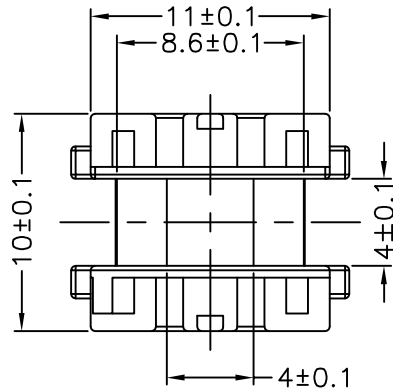


**TBI** TRANSFORMER BOBBIN INDUSTRIAL CO., LTD.

Phone 886-2-22929999 Fax 886-2-22925263  
E-MAIL: tb6688@ms46.hinet.net

REVISIONS

REV	SYM	DRAFTER	CHECKER	DATE
△		T.S.LII	W.H.HSU	03/18/04
△				
△				



PART NO.	EF12.6-6P-TH-3.8-A-4							
DWG NO.	TBI-205-01012.4XX							
TBI NO.	MATERIAL (BOBBIN)	MATERIAL (TERMINAL)	TERMINAL (PLATING)		.416	ALL PIN Ⓐ = 4±0.5		
					.406	ALL PIN Ⓐ = 3.5±0.3		
205-01011.406	FR530	C.P WIRE	Sn	PART NO.	REV	MODE NO	PIN LOCATION	
205-01011.416	FR530	C.P WIRE	Sn	Finish: 1-1. Immersion gold on terminal. Thickness gold 0.075 μm (3 μ inches) min, Base nickel 0.625 μm (25 μ inches) min. Immersion Sn on terminal. 1-2. Terminal:Sn plating,100, 5 μm (200 μ inches) min Base nickel 0.625 μm (25 μ inches) min. 1-3. Immersion Sn/Pb on terminal. Terminal:Sn/Pb plating,90/10, 5 μm (200 μ inches) min Base nickel 0.625 μm (25 μ inches) min. (for pin GW type) 2. Coplanarity deviation: 0.004 inches max.			TOLERANCE	.X ±0.15 .XX ±0.10 .XXX ±0.05
							UNIT	m/m
							SCALE	3 : 1
							REV	1