

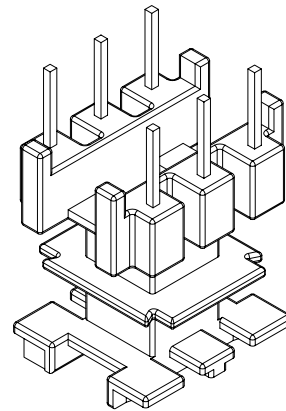
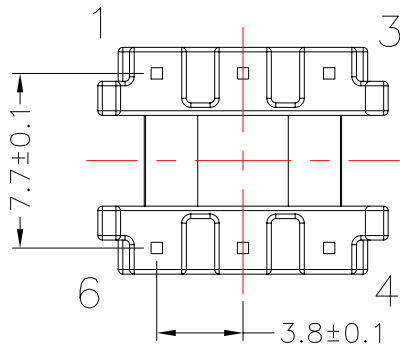
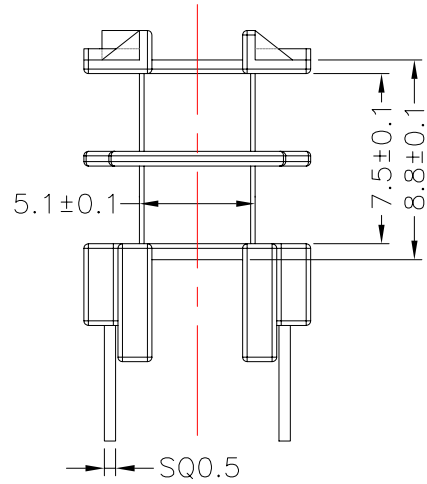
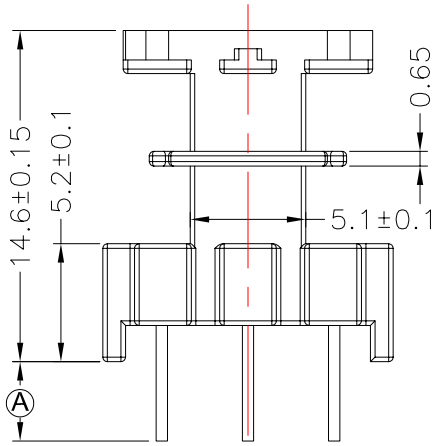
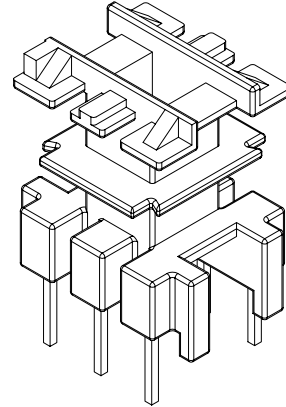
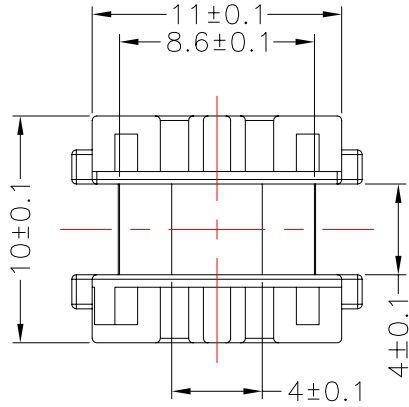


**TRANSFORMER BOBBIN
INDUSTRIAL CO.,LTD.**

Tel : 86-769-88789999 Fax : 86-769-88789989
http:// tbi-tw.com e-mail : tb6688@ms46.hinet.net

REVISIONS

REV	SYM	DRAFTER	CHECKER	DATE
①		YAN.TANG	G.F.YANG	08/19/08
②				
③				



DWG NO.	EF12.6-6P-TH-3.8-A-11-2S			PIN ALLOCATION	NOTE
PART NO.	MATERIAL (BOBBIN)	MATERIAL (TERMINAL)	TERMINAL (PLATING)		
TBI-205-01012.1106	PM-9630	CP WIRE	Sn	ALL PIN (A) = 3.5±0.3	
TBI-205-01012.1116	PM-9630	CP WIRE	Sn	ALL PIN (A) = 4±0.5	H
TBI-205-01012.1126	PM-9630	CP WIRE	Sn	CUT PIN#2 (A) = 3.3±0.2	
TBI-205-01012.1136	PM-9630	CP WIRE	Sn	CUT PIN #2,5 (A) = 3.5±0.3	
TOLERANCE: .X±0.15 .XX±0.10 .XXX±0.05				UNIT : m / m	SCALE 3 : 1
Finish: 1. Pb wire Immersion Sn on terminal : Thickness:Sn plating,100,5 μ m (200 μ inches) min,Base nickel 0.625 μ m (25 μ inches) min. 2. CP wire Immersion Sn on terminal : Thickness:Sn plating,100,5 μ m (200 μ inches) min. 3. Coplanarity deviation: 0.10 mm (0.004 inches) max.					REV 1