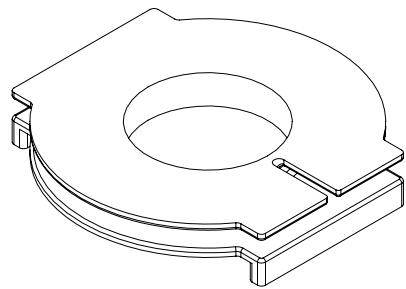
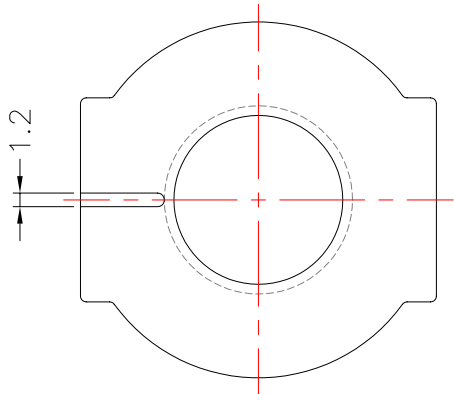
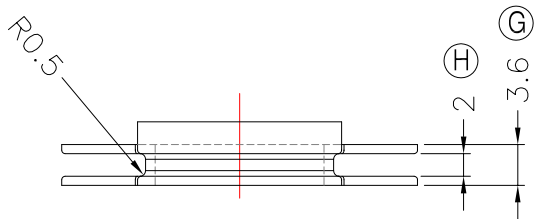
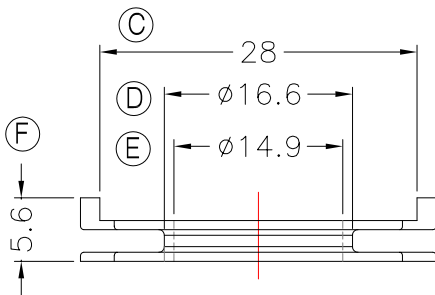
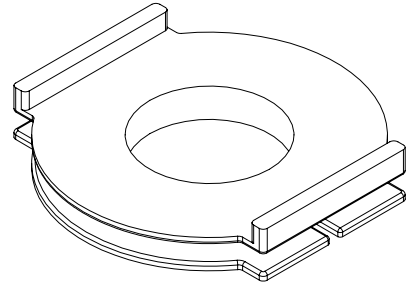
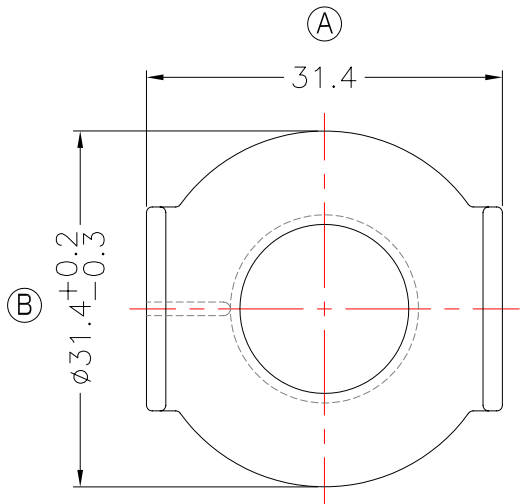


TBI TRANSFORMER BOBBIN INDUSTRIAL CO., LTD.

Tel : 86-769-88789999 Fax : 86-769-88789989
 http:// tbi-tw.com e-mail : tb6688@ms46.hinet.net

REVISIONS				
REV	SYM	DRAFTER	CHECKER	DATE
①		X.H.GU	G.F.YANG	05/21/13
②				
③				



DWG NO.	EQ35-17.5-NA-A-11				
PART NO.	MATERIAL (BOBBIN)	MATERIAL (TERMINAL)	TERMINAL (PLATING)	PIN ALLOCATION	NOTE
TBI-235-13011.11	PM-9630	NA			S

TOLERANCE: $0 < L \leq 4 : \pm 0.1$ $4 < L \leq 16 : \pm 0.2$ $16 < L \leq 63 : \pm 0.3$			UNIT : m / m	SCALE 1 : 1
Finish: 1. PB wire Immersion Sn on terminal : Thickness: Sn plating, $100.5 \mu m$ (200μ inches) min, Base nickel $0.625 \mu m$ (25μ inches) min. 2. CP wire Immersion Sn on terminal : Thickness: Sn plating, $100.5 \mu m$ (200μ inches) min. 3. Coplanarity deviation: 0.10 mm (0.004 inches) max.				REV 1