

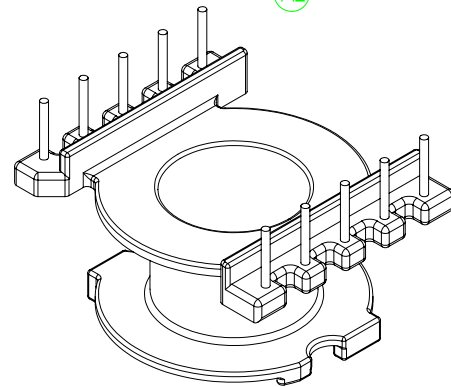
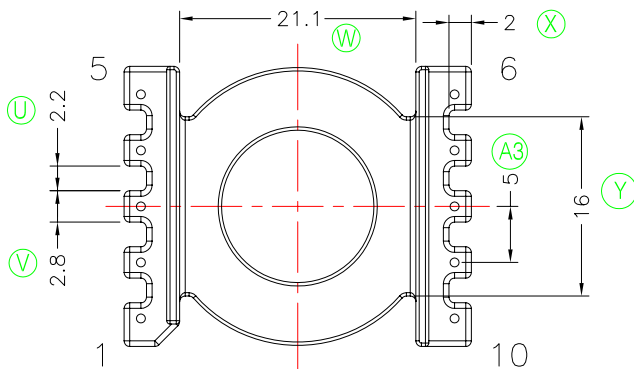
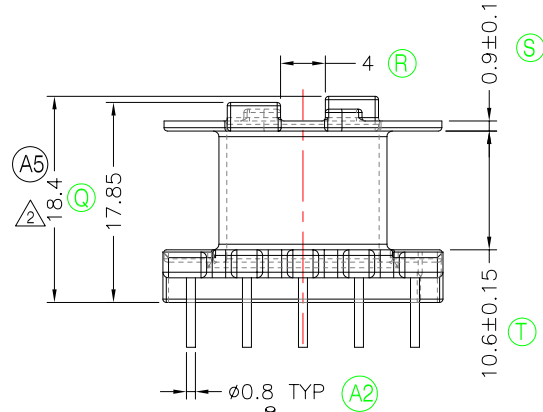
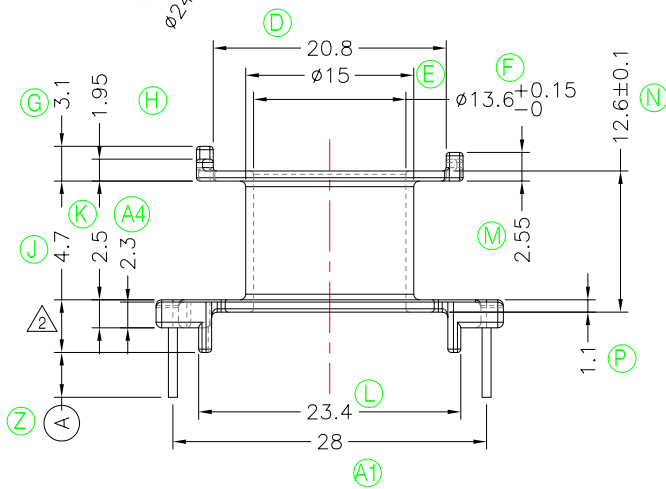
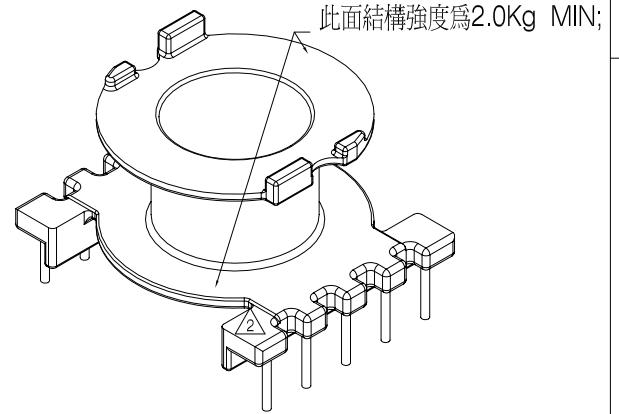
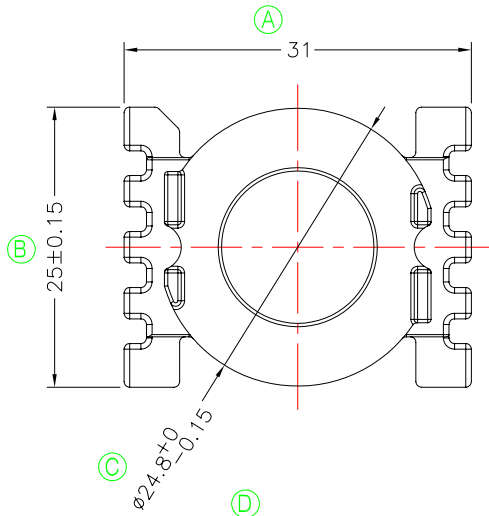


**TRANSFORMER BOBBIN
INDUSTRIAL CO.,LTD.**

Tel : 86-769-88789999 Fax : 86-769-88789989
http:// tbi-tw.com e-mail : tb6688@ms46.hinet.net

REVISIONS

REV	SYM	DRAFTER	CHECKER	DATE
①		YAN.TANG	G.F.YANG	07/21/09
②		G.F.YANG	W.H.HSU	07/29/09
③				



NOTE:
1. 焊錫前拉力:1.0KG MIN,焊錫後拉力:1.5KG MIN

DWG NO. EQ30-19-10P-TH-5.0-A-12

PART NO.	MATERIAL (BOBBIN)	MATERIAL (TERMINAL)	TERMINAL (PLATING)	PIN ALLOCATION	NOTE
TBI-235-04011.1206	PM-9820	CP WIRE	Sn	ALL PIN (A)=4.0±0.2	H
② TBI-235-04011.1216	PM-9820	CP WIRE	Sn	ALL PIN (A)=4.5±0.3	
② TBI-235-04011.1226	PM-9820	CP WIRE	Sn	CUT PIN #3,8 (A)=3.1±0.3	
② TBI-235-04011.1236	PM-9820	CP WIRE	Sn	CUT PIN #2,3,4,8 (A)=4.0±0.2	
② TBI-235-04011.1246	PM-9820	CP WIRE	Sn	CUT PIN #6,10 (A)=3.1±0.3	
F ② TBI-235-04011.1256	PM-9820	CP WIRE	Sn	ALL PIN (A)=3.2±0.2	
② TBI-235-04011.1266	PM-9820	CP WIRE	Sn	CUT PIN #3,5,6 (A)=4.0±0.2	

TOLERANCE: 0<L<=4: ±0.1 4<L<=16: ±0.2 16<L<=63: ±0.3

UNIT : m/m

SCALE 3 : 2

Finish 1. PB wire Immersion Sn on terminal : Thickness:Sn plating,100,5 μm (200 μ inches) min,Base nickel 0.625 μm (25 μ inches) min.
2. CP wire Immersion Sn on terminal : Thickness:Sn plating,100,5 μm (200 μ inches) min.
3. Coplanarity deviation: 0.10 mm (0.004 inches)max.

REV 2