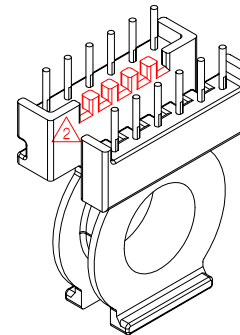
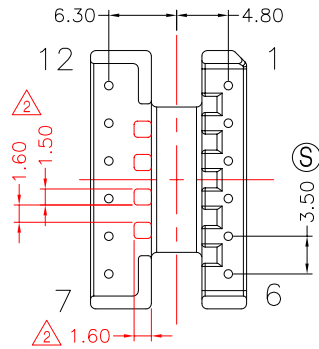
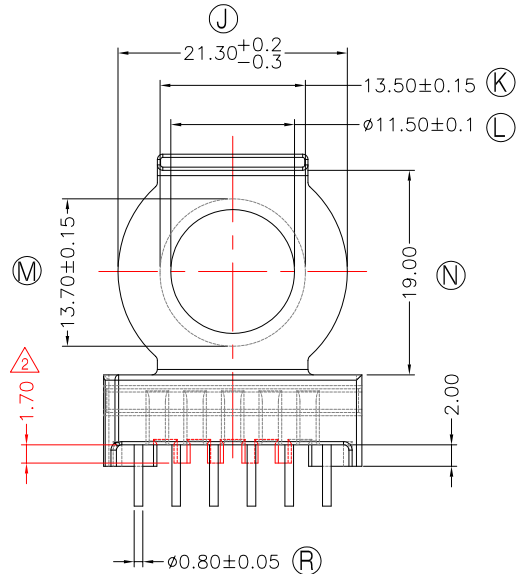
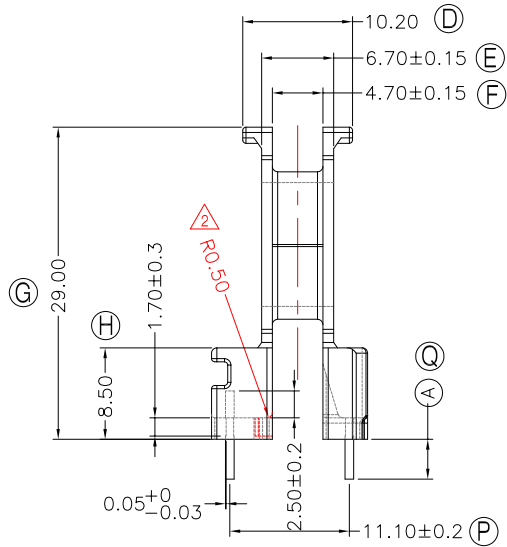
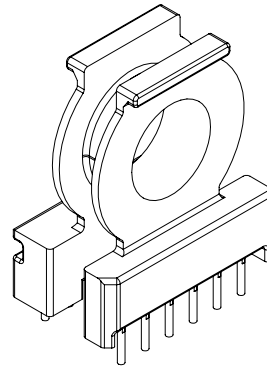
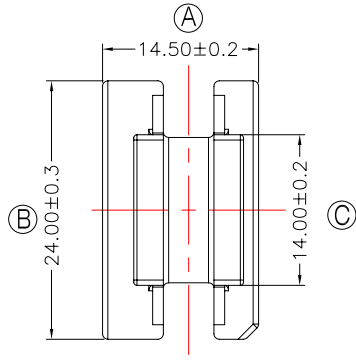




**TRANSFORMER BOBBIN INDUSTRIAL CO.,LTD.**

Tel : 86-769-88789999 Fax : 86-769-88789989  
 http:// tbi-tw.com e-mail : tb6688@ms46.hinet.net

REVISIONS				
REV	SYM	DRAFTER	CHECKER	DATE
①		H.X.DUAN	G.F.YANG	01/17/13
②		X.H.GU	G.F.YANG	04/11/14
③				



DWG NO.	EQ25-13-12P-TH-A7-11				
PART NO.	MATERIAL (BOBBIN)	MATERIAL (TERMINAL)	TERMINAL (PLATING)	PIN ALLOCATION	NOTE
TBI-235-01171.1106	PM-9630	CP WIRE	Sn	ALL PIN (A)=3.7±0.2	S
TBI-235-01171.1116	PM-9630	CP WIRE	Sn	NO PIN#3,11,12(A)=3.7±0.2	H
TBI-235-01171.1126	PM-9630	CP WIRE	Sn	NO PIN#3,4,11,12(A)=3.3±0.2	
TBI-235-01171.1136	PM-9630	CP WIRE	Sn	NO PIN#1.4.11.12(A)=5.0±0.2	
TBI-235-01171.1146	PM-9630	CP WIRE	Sn	NO PIN#3,4,11,12(A)=3.0±0.2	
TBI-235-01171.1156	PM-9630	CP WIRE	Sn	NO PIN#3,4,11,12(A)=5.0±0.2	
TBI-235-01171.1166	PM-9630	CP WIRE	Sn	NO PIN#3,4,7,8(A)=3.0±0.2	
TBI-235-01171.1176	PM-9630	CP WIRE	Sn	NO PIN#3,4,11,12(A)=3.0±0.2	PIN根部咬花外漏 規格:寬度1.7±0.3,深度0.05Max
TBI-235-01171.1186	PM-9630	CP WIRE	Sn	NO PIN#3,4,10(A)=3.0±0.2	PIN根部咬花外漏 規格:寬度1.7±0.3,深度0.05Max
	TOLERANCE: 0<L<=4: ±0.1 4<L<=16: ±0.2 16<L<=63: ±0.3			UNIT : m / m	SCALE 1 : 1

Finish: 1. PB wire Immersion Sn on terminal : Thickness:Sn plating,100,5 μm (200 μ inches) min,Base nickel 0.625 μm (25 μ inches) min.  
 2. CP wire Immersion Sn on terminal : Thickness:Sn plating,100,5 μm (200 μ inches) min.  
 3. Coplanarity deviation: 0.10 mm (0.004 inches) max.

REV 2