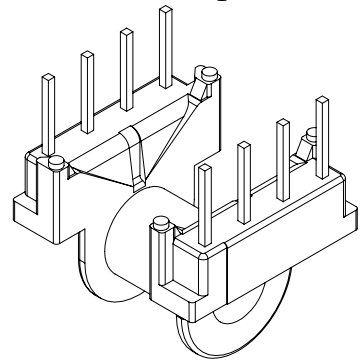
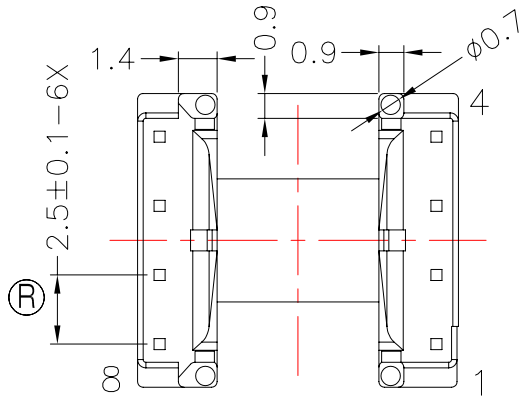
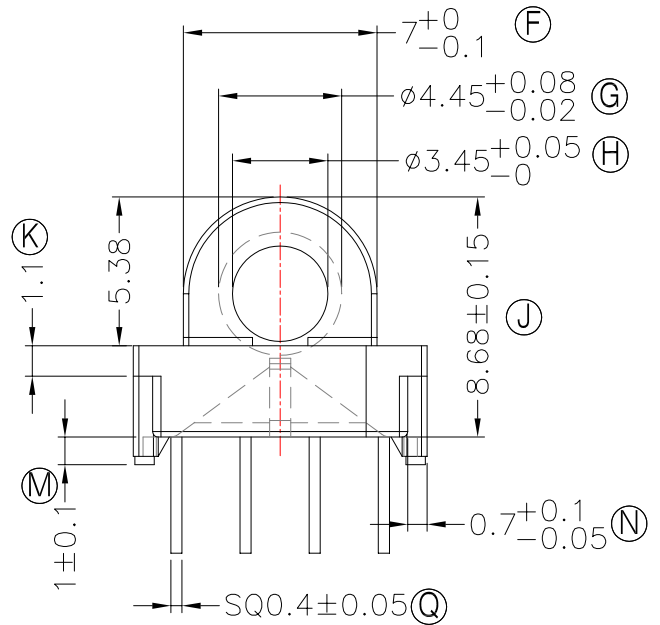
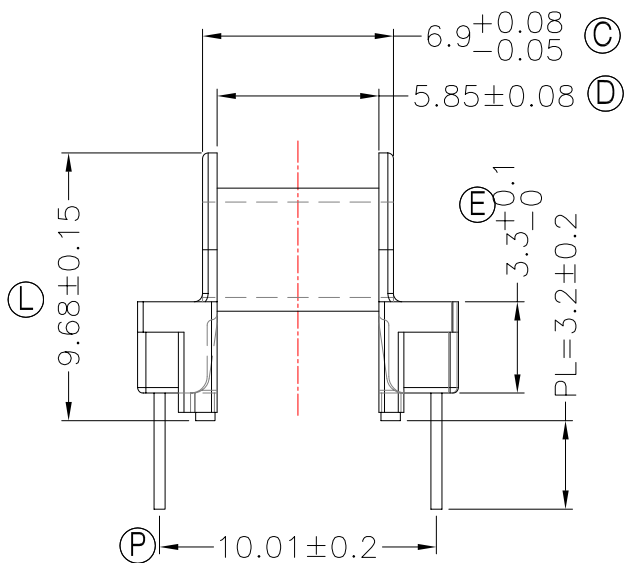
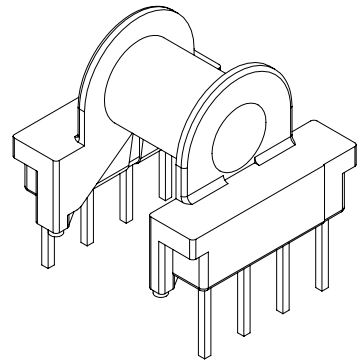
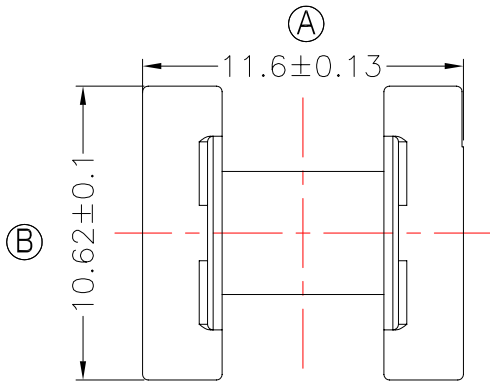




**TRANSFORMER BOBBIN
INDUSTRIAL CO.,LTD.**

Tel : 86-769-88789999 Fax : 86-769-88789989
 http:// tbi-tw.com e-mail : tb6688@ms46.hinet.net

REVISIONS				
REV	SYM	DRAFTER	CHECKER	DATE
1		G.F.YANG	W.H.HSU	09/19/15
2				
3				



DWG NO.	EP7L-8P-TH-2.5V-A9-22				
PART NO.	MATERIAL (BOBBIN)	MATERIAL (TERMINAL)	TERMINAL (PLATING)	PIN ALLOCATION	NOTE
TBI-203-08191.2206	WH-9100 BK	CP	Sn	ALL PIN	S.C
	TOLERANCE: 0 < L ≤ 4 : ± 0.1 4 < L ≤ 16 : ± 0.2 16 < L ≤ 63 : ± 0.3			UNIT : m / m	SCALE 1 : 1
Finish:	1. PB wire Immersion Sn on terminal : Thickness: Sn plating, 100%, 5 μm (200 μ inches) min, Base nickel 1-2.5 μm (40-100 μ inches) min. 2. CP wire Immersion Sn on terminal : Thickness: Sn plating, 100%, 5 μm (200 μ inches) min. 3. Coplanarity deviation: 0.10 mm (0.004 inches) max. 4. Pin pull strenght = 1.0 kg (min) .				REV 1