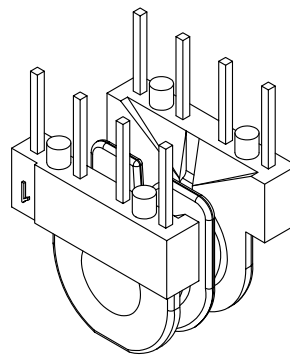
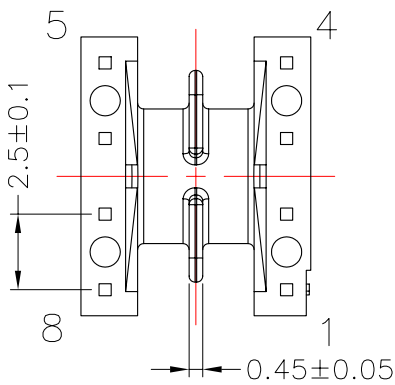
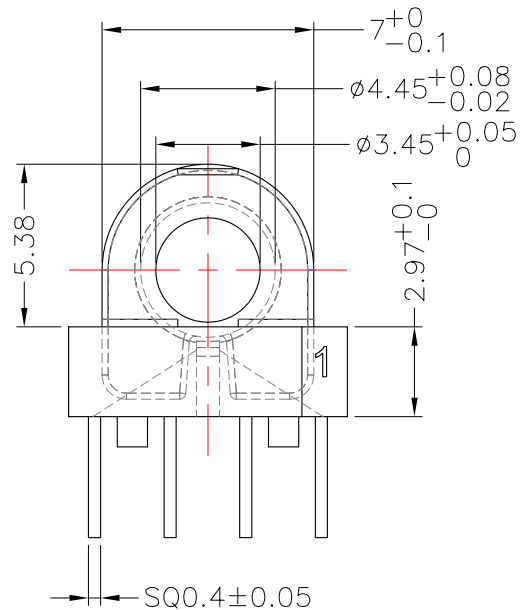
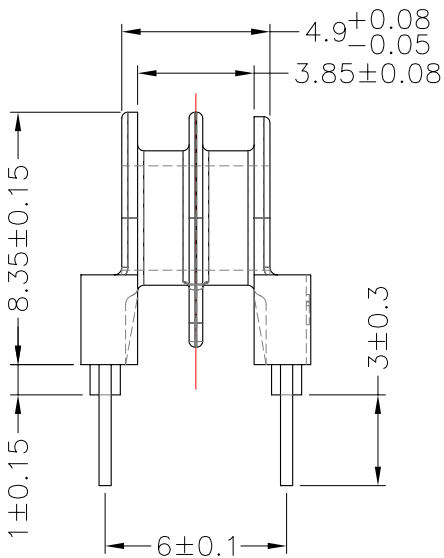
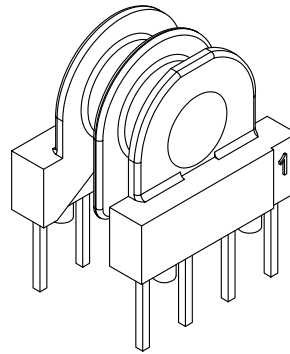
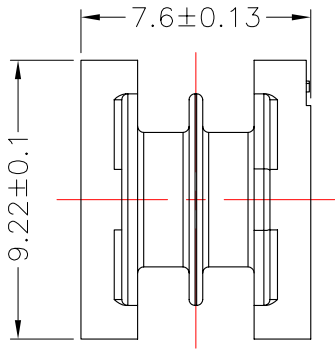




TRANSFORMER BOBBIN INDUSTRIAL CO.,LTD.

Tel : 86-769-88789999 Fax : 86-769-88789989
 http:// tbi-tw.com e-mail : tb6688@ms46.hinet.net

REVISIONS				
REV	SYM	DRAFTER	CHECKER	DATE
1		S.Y.TANG	G.F.YANG	09/09/08
2				
3				



DWG NO.	EP7-8P-TH-2.5V-A5-11-2S				
PART NO.	MATERIAL (BOBBIN)	MATERIAL (TERMINAL)	TERMINAL (PLATING)	PIN ALLOCATION	NOTE
TBI-203-08152.1103	PM-9630	P.B	Sn	ALL PIN	

	TOLERANCE: .X±0.15 .XX±0.10 .XXX±0.05	UNIT : m / m	SCALE 4 : 1
--	---------------------------------------	--------------	-------------

Finish:	1. Pb wire Immersion Sn on terminal : Thickness:Sn plating,100.5 μm (200 μ inches) min,Base nickel 0.625 μm (25 μ inches) min. 2. CP wire Immersion Sn on terminal : Thickness:Sn plating,100.5 μm (200 μ inches) min. 3. Coplanarity deviation: 0.10 mm (0.004 inches) max.	REV 1
---------	--	-------