

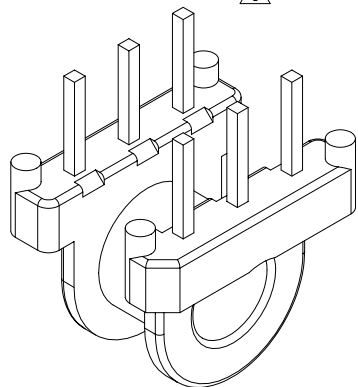
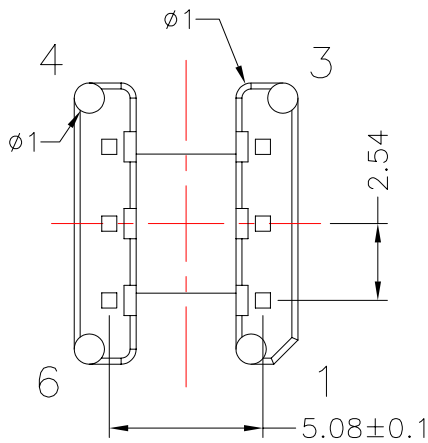
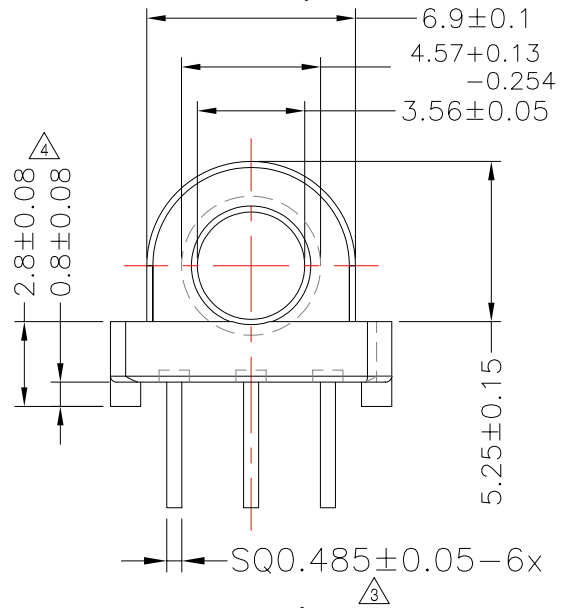
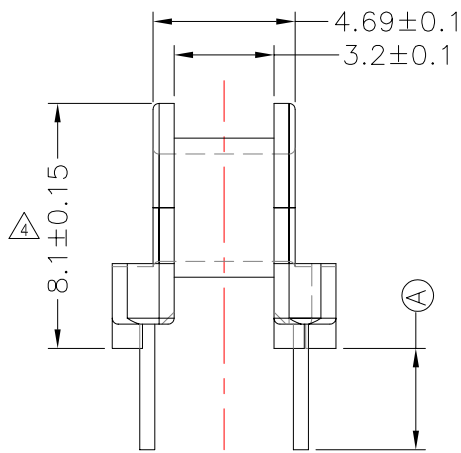
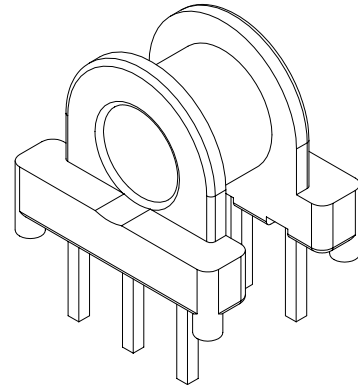
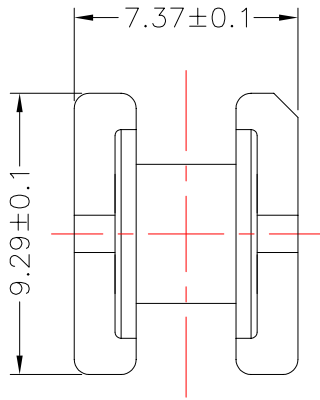


**TRANSFORMER BOBBIN
INDUSTRIAL CO.,LTD.**

Tel : 86-769-88789999 Fax : 86-769-88789989
http:// tbi-tw.com e-mail : tb6688@ms46.hinet.net

REVISIONS

REV	SYM	DRAFTER	CHECKER	DATE
△2		S.Y.TANG	W.H.HSU	06/01/07
△3		S.Y.TANG	W.H.HSU	06/06/07
△4		S.Y.TANG	W.H.HSU	07/11/07



Notes: Pull Strenght 1.0 kg (min)

DWG NO.	EP7-6P-TH-2.54-A0-1				
PART NO.	MATERIAL (BOBBIN)	MATERIAL (TERMINAL)	TERMINAL (PLATING)	PIN ALLOCATION	NOTE
TBI-203-08101.106	PM-9630	CP WIRE	Sn	ALL PIN (A)=3.3±0.3	
TBI-203-08101.116	PM-9630	CP WIRE	Sn	ALL PIN (A)=3.3±0.13	042-2325.001
TBI-203-08101.126	PM-9630	CP WIRE	Sn	ALL PIN (A)=3.4+0/-0.254	042-2325.003
TBI-203-08101.136	PM-9630	CP WIRE	Sn	ALL PIN (A)=4.7±0.13	042-2325.004
TOLERANCE: .X±0.15 .XX±0.10 .XXX±0.05 UNIT : m / m SCALE 4 : 1					
Finish:	1. Pb wire Immersion Sn on terminal : Thickness:Sn plating,100, 6~12.5 μm (240~500 μ inches) min,Base nickel 0.625 μm (25 μ inches) min. 2. CP wire Immersion Sn on terminal : Thickness:Sn plating,100, 6~12.5 μm (240~500 μ inches) min. 3. Coplanarity deviation: 0.10 mm (0.004 inches)max.				REV 4