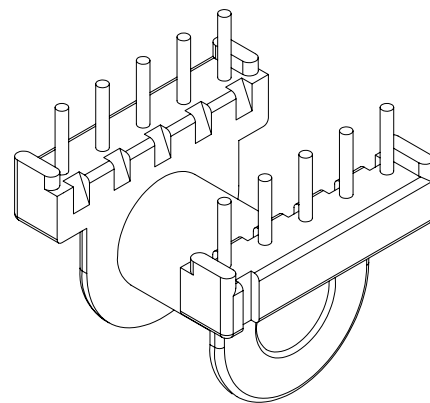
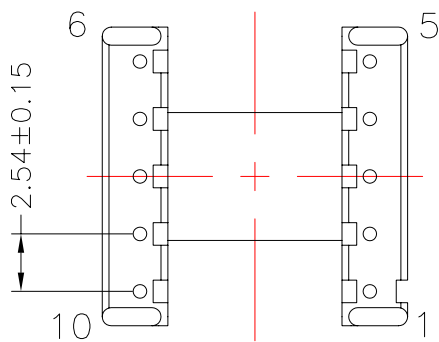
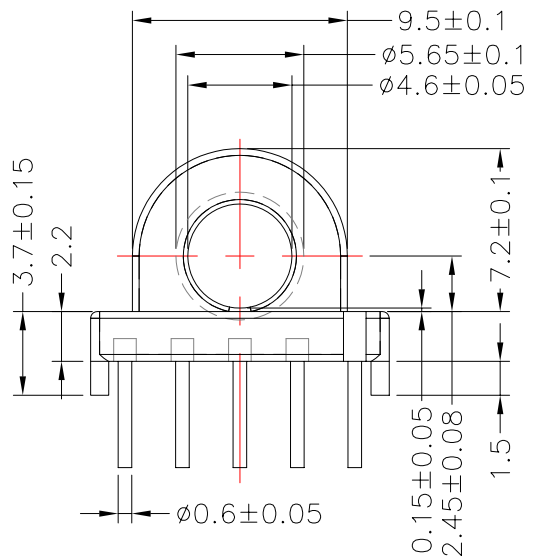
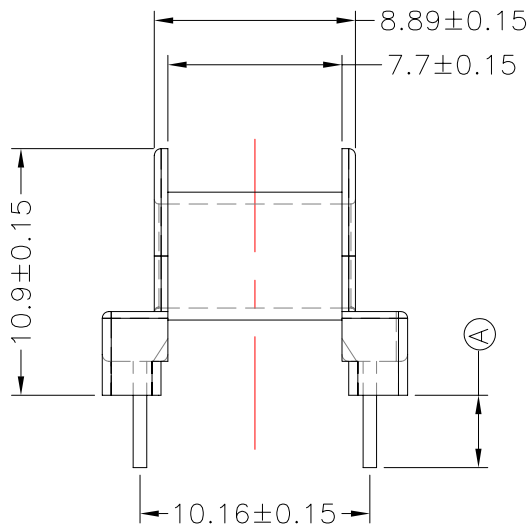
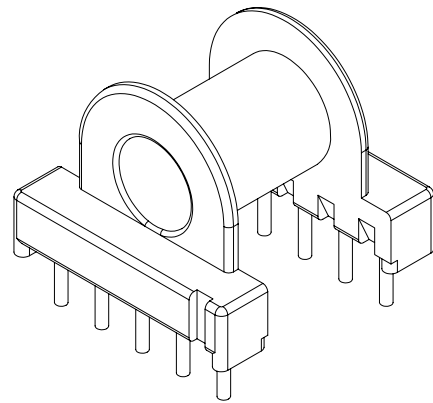
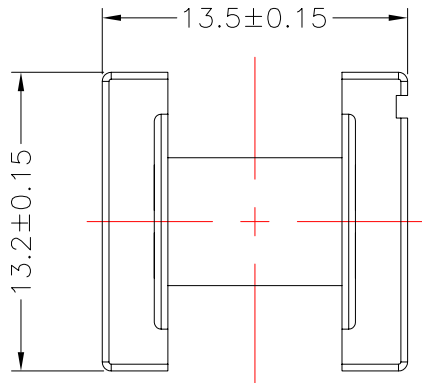




**TRANSFORMER BOBBIN  
INDUSTRIAL CO.,LTD.**

Tel : 86-769-88789999 Fax : 86-769-88789989  
http:// tbi-tw.com e-mail : tb6688@ms46.hinet.net

REVISIONS				
REV	SYM	DRAFTER	CHECKER	DATE
1		X.X.YUAN	G.F.YANG	06/11/11
2				
3				



DWG NO.	EP13-10P-TH-2.54-1E-11				
PART NO.	MATERIAL (BOBBIN)	MATERIAL (TERMINAL)	TERMINAL (PLATING)	PIN ALLOCATION	NOTE
TBI-203-03151.1106	PM-9630	CP WIRE	Sn	ALL PIN (A)=3.2±0.2	
TBI-203-03151.1116	PM-9630	CP WIRE	Sn	CUT PIN#1,2,4,5,6,7,10 (A)=3.2±0.2	H
TBI-203-03151.1126	PM-9630	CP WIRE	Sn	ALL PIN (A)=4.0±0.3	暫無刀模

TOLERANCE: .X±0.15 .XX±0.10 .XXX±0.05 UNIT : m / m SCALE 3 : 1

Finish: 1. PB wire Immersion Sn on terminal : Thickness:Sn plating,100,5 μ m (200 μ inches) min,Base nickel 0.625 μ m (25 μ inches) min.  
2. CP wire Immersion Sn on terminal : Thickness:Sn plating,100,5 μ m (200 μ inches) min.  
3. Coplanarity deviation: 0.10 mm (0.004 inches) max.

REV 1