

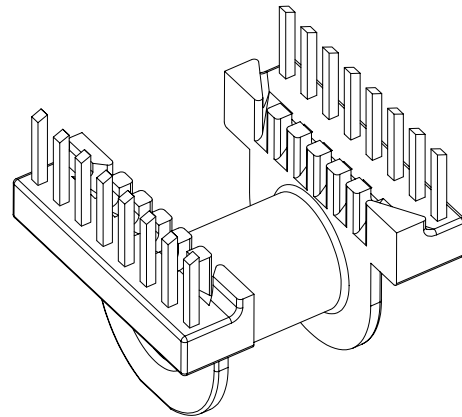
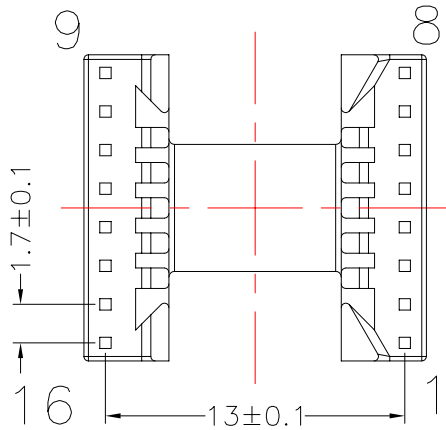
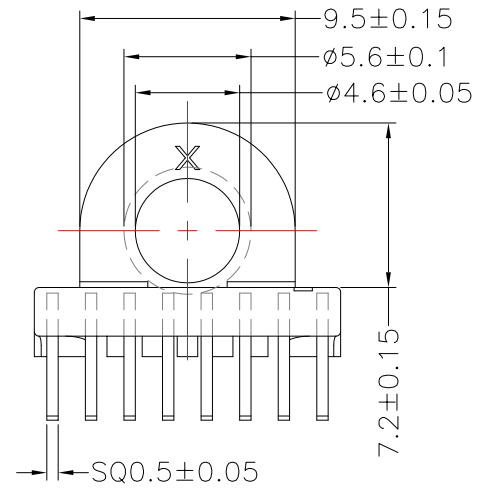
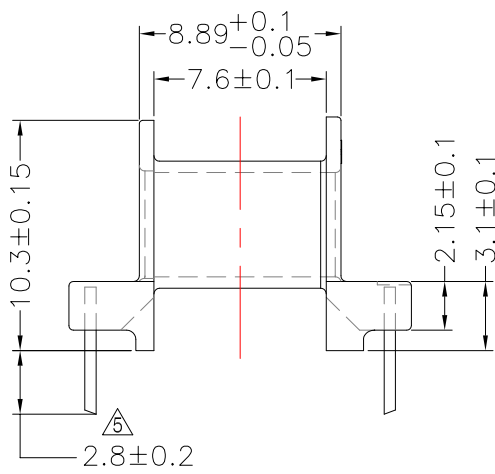
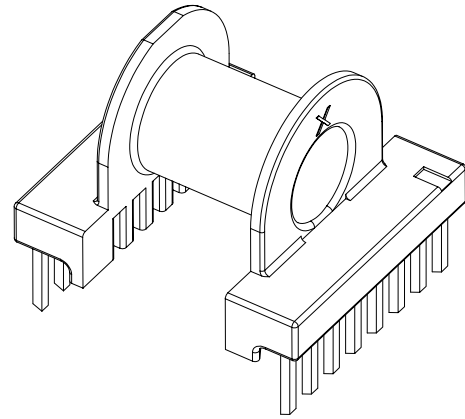
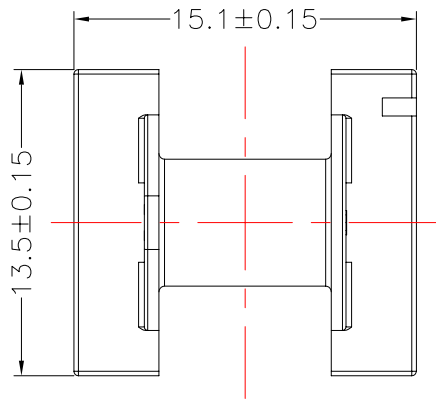


**TRANSFORMER BOBBIN INDUSTRIAL CO.,LTD.**

Tel : 86-769-88789999 Fax : 86-769-88789989  
 http:// tbi-tw.com e-mail : tb6688@ms46.hinet.net

REVISIONS

REV	SYM	DRAFTER	CHECKER	DATE
△4		T.S.LII	W.H.HSU	09/01/04
△5		T.S.LII	W.H.HSU	09/24/04
△6		T.S.LII	W.H.HSU	07/24/06



DWG NO. EP13-16P-TH-1.7-E-1

PART NO. MATERIAL (BOBBIN) MATERIAL (TERMINAL) TERMINAL (PLATING) PIN ALLOCATION NOTE

TBI-203-03051.103 PM-9630 PB Sn ALL PIN

TBI-203-03051.113 PM-9630 PB Sn CUT PIN #10,12,13,15

△6 TBI-203-03051.116 PM-9630 CP WIRE Sn CUT PIN #10,12,13,15

TOLERANCE: .X±0.15 .XX±0.10 .XXX±0.05 UNIT : m / m SCALE 3 : 1

Finish: 1. PB wire Immersion Sn on terminal : Thickness:Sn plating,100,5 μm (200 μ inches) min,Base nickel 0.625 μm (25 μ inches) min.  
 2. CP wire Immersion Sn on terminal : Thickness:Sn plating,100,5 μm (200 μ inches) min.  
 3. Coplanarity deviation: 0.10 mm (0.004 inches) max.

REV 6