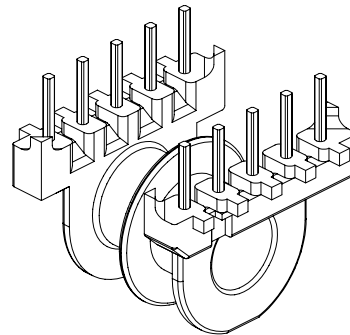
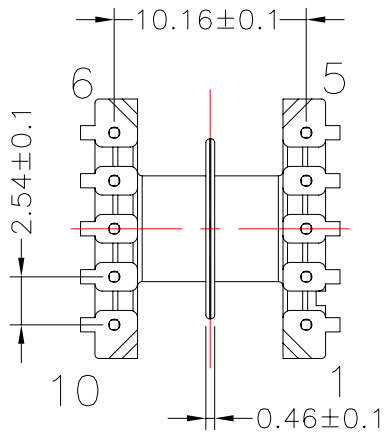
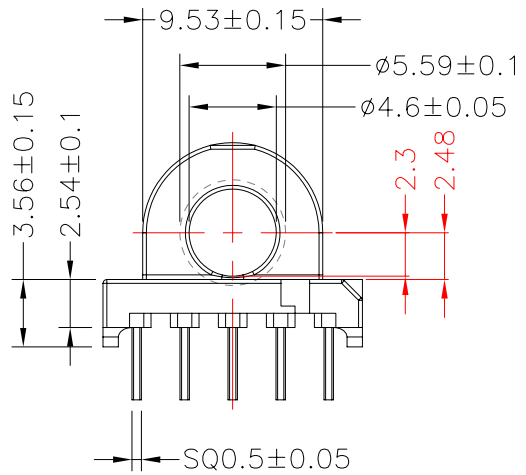
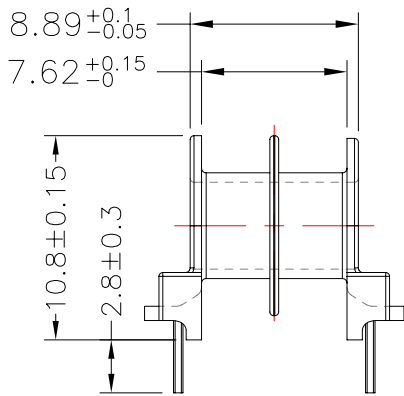
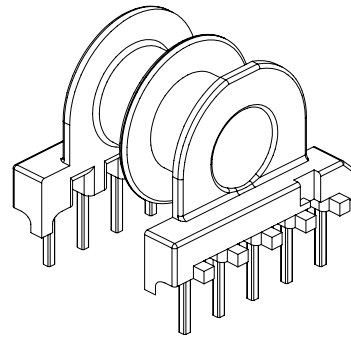
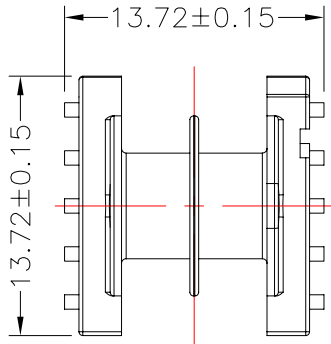




**TRANSFORMER BOBBIN INDUSTRIAL CO.,LTD.**

Tel : 86-769-88789999 Fax : 86-769-88789989  
 http:// tbi-tw.com e-mail : tb6688@ms46.hinet.net

REVISIONS				
REV	SYM	DRAFTER	CHECKER	DATE
①		YAN.TANG	G.F.YANG	08/19/10
②				
③				



DWG NO.	EP13-10P-TH-2.54-C-21-2S				
PART NO.	MATERIAL (BOBBIN)	MATERIAL (TERMINAL)	TERMINAL (PLATING)	PIN ALLOCATION	NOTE
TBI-203-03032.2106	DAP AM-113	CP WIRE	Sn	ALL PIN	
TBI-203-03032.2116	DAP AM-113	CP WIRE	Sn	CUT PIN #2	H
TBI-203-03032.2126	DAP AM-113	CP WIRE	Sn	CUT PIN #1 , 5	
TBI-203-03032.2136	DAP AM-113	CP WIRE	Sn	CUT PIN #2,3,4,7,8,9	
	TOLERANCE: .X±0.15 .XX±0.10 .XXX±0.05			UNIT : m / m	SCALE 2.5 : 1
Finish:	1. PB wire Immersion Sn on terminal : Thickness:Sn plating,100,5 μ m (200 μ inches) min,Base nickel 0.625 μ m (25 μ inches) min. 2. CP wire Immersion Sn on terminal : Thickness:Sn plating,100,5 μ m (200 μ inches) min. 3. Coplanarity deviation: 0.10 mm (0.004 inches) max.				REV 1