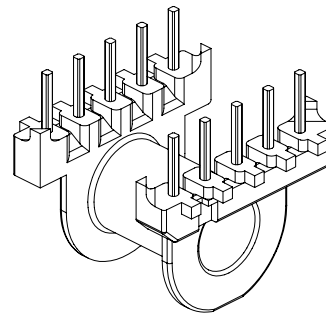
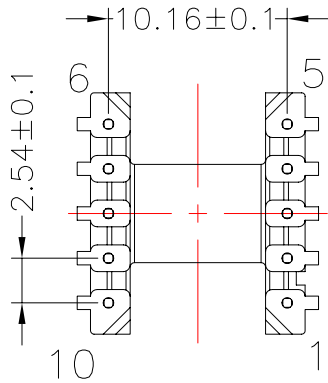
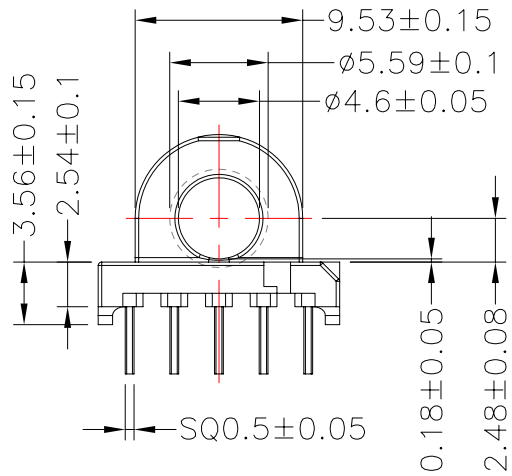
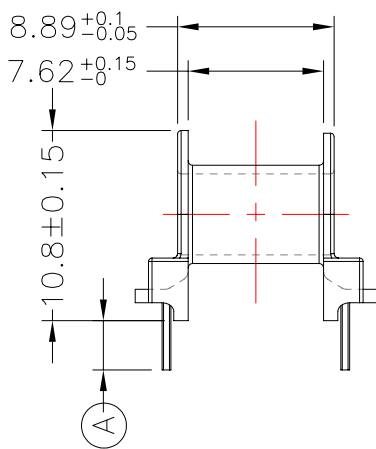
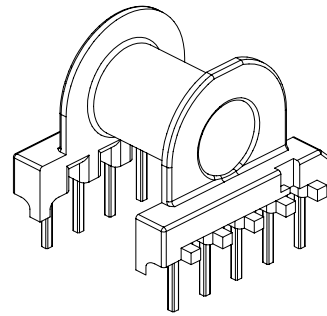
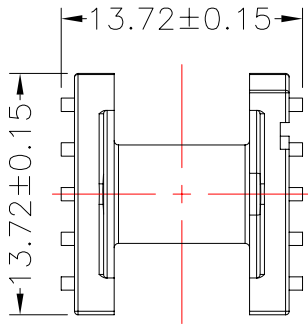




**TRANSFORMER BOBBIN  
INDUSTRIAL CO.,LTD.**

Tel : 86-769-88789999 Fax : 86-769-88789989  
http:// tbi-tw.com e-mail : tb6688@ms46.hinet.net

REVISIONS				
REV	SYM	DRAFTER	CHECKER	DATE
8		T.S.LII	W.H.HSU	11/10/03
9		T.S.LII	W.H.HSU	07/21/06
10		Y.G.HSU	W.H.HSU	04/21/07



DWG NO.	EP13-10P-TH-2.54-C-1				
PART NO.	MATERIAL (BOBBIN)	MATERIAL (TERMINAL)	TERMINAL (PLATING)	PIN ALLOCATION	NOTE
TBI-203-03031.106	PM-9630	CP WIRE	Sn	ALL PIN (A) =2.8±0.3	
TBI-203-03031.116	PM-9630	CP WIRE	Sn	CUT PIN # 1,3,5,7,9 (A) =2.8±0.3	H
TBI-203-03031.126	PM-9630	CP WIRE	Sn	CUT PIN # 3 (A) =2.8±0.3	
TBI-203-03031.136	PM-9630	CP WIRE	Sn	CUT PIN # 2,4,7,8,9 (A) =2.8±0.3	
TBI-203-03031.146	PM-9630	CP WIRE	Sn	CUT PIN # 3,8 (A) =2.8±0.3	
TBI-203-03031.156	PM-9630	CP WIRE	Sn	CUT PIN # 3,8 (A) =6.0±0.3	
TBI-203-03031.166	PM-9630	CP WIRE	Sn	CUT PIN # 7,8,9 (A) =2.8±0.3	
TBI-203-03031.176	PM-9630	CP WIRE	Sn	CUT PIN #2,3, 7,9 (A) =2.8±0.3	
TBI-203-03031.186	PM-9630	CP WIRE	Sn	CUT PIN #1,5, 7,9 (A) =2.8±0.3	
TBI-203-03031.196	PM-9630	CP WIRE	Sn	CUT PIN # 7,8,9 (A) =2.2±0.3	
	TOLERANCE: .X±0.15 .XX±0.10 .XXX±0.05			UNIT : m / m	SCALE 2.5 : 1

Finish: 1. PB wire Immersion Sn on terminal : Thickness:Sn plating,100,5 μm (200 μ inches) min,Base nickel 0.625 μm (25 μ inches) min.  
2. CP wire Immersion Sn on terminal : Thickness:Sn plating,100,5 μm (200 μ inches) min.  
3. Coplanarity deviation: 0.10 mm (0.004 inches) max.

REV 10