

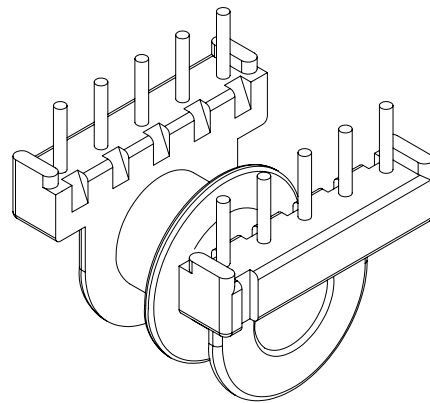
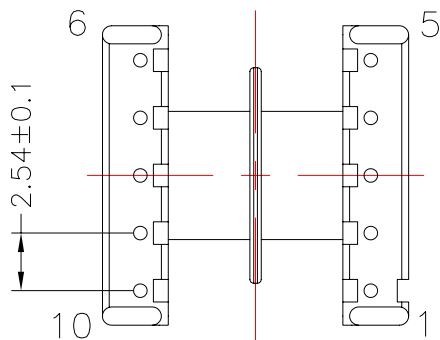
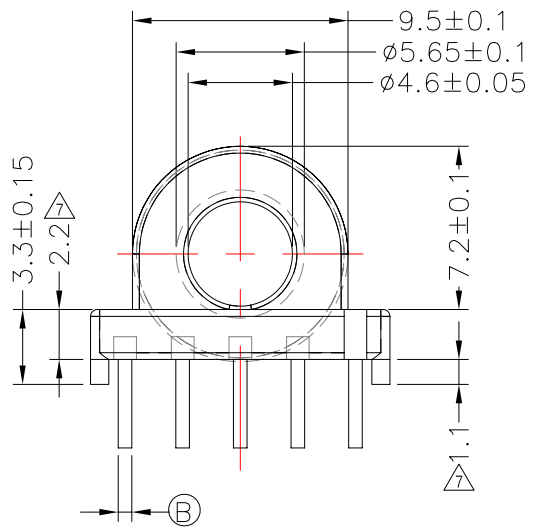
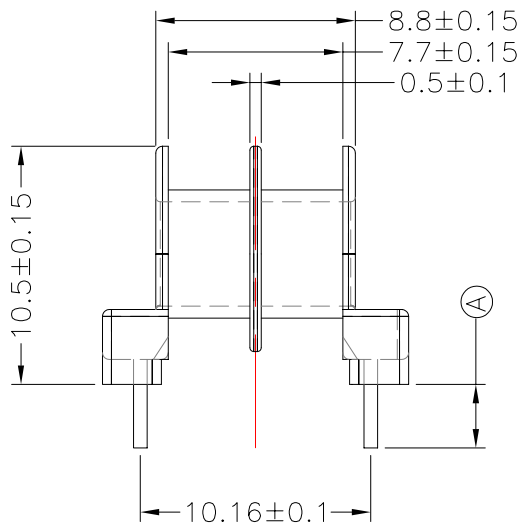
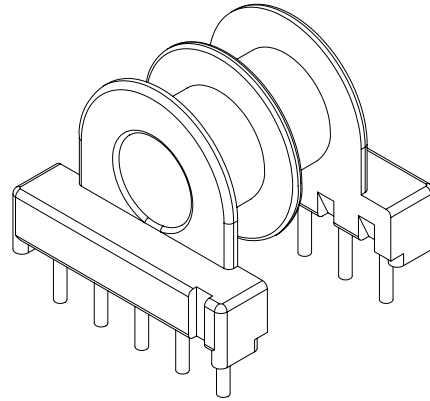
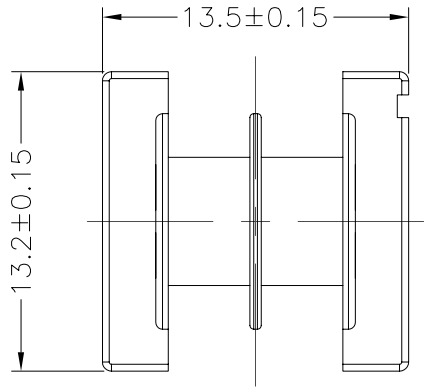


**TRANSFORMER BOBBIN
INDUSTRIAL CO.,LTD.**

Tel : 86-769-88789999 Fax : 86-769-88789989
http:// tbi-tw.com e-mail : tb6688@ms46.hinet.net

REVISIONS

REV	SYM	DRAFTER	CHECKER	DATE
△8		Y.G.HSU	S.M.SHIH	02/06/07
△9		Y.G.HSU	S.M.SHIH	02/26/07
△10		YAN.TANG	G.F.YANG	04/01/08



DWG NO.	EP13-10P-TH-2.54-A-1-2S				
PART NO.	MATERIAL (BOBBIN)	MATERIAL (TERMINAL)	TERMINAL (PLATING)	PIN ALLOCATION	NOTE
TBI-203-03012.106	PM-9630	C.P WIRE	Sn	ALL PIN (A)=2.8±0.2 (B)=φ0.6±0.05	52-EP1310I20
TBI-203-03012.116	PM-9630	C.P WIRE	Sn	CUT PIN #3 (A)=2.8±0.2 (B)=φ0.6±0.05	52-EP1310I21 H
△8 TBI-203-03012.126	PM-9630	C.P WIRE	Sn	ALL PIN (A)=3.1±0.3 (B)=φ0.6±0.05	
△9 TBI-203-03012.136	PM-9630	C.P WIRE	Sn	CUT PIN #1,3,5,6,8,10 (A)=4.3±0.3 (B)=φ0.6±0.05	
△10 TBI-203-03012.146	PM-9630	C.P WIRE	Sn	ALL PIN (A)=2.8±0.2 (B)=SQ0.5±0.05	
F TBI-203-03012.156	PM-9630	C.P WIRE	Sn	CUT PIN#2,3,4,7,8,9 (A)=2.8±0.2 (B)=φ0.6±0.05	F
TOLERANCE: .X±0.15 .XX±0.10 .XXX±0.05				UNIT : m / m	SCALE 3 : 1
Finish: 1. Pb wire Immersion Sn on terminal : Thickness:Sn plating,100,5 μm (200 μ inches) min,Base nickel 0.625 μm (25 μ inches) min. 2. CP wire Immersion Sn on terminal : Thickness:Sn plating,100,5 μm (200 μ inches) min. 3. Coplanarity deviation: 0.10 mm (0.004 inches) max.					REV 10