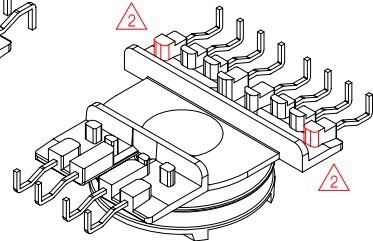
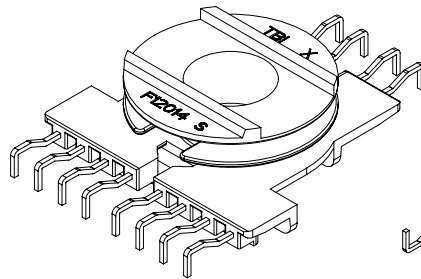
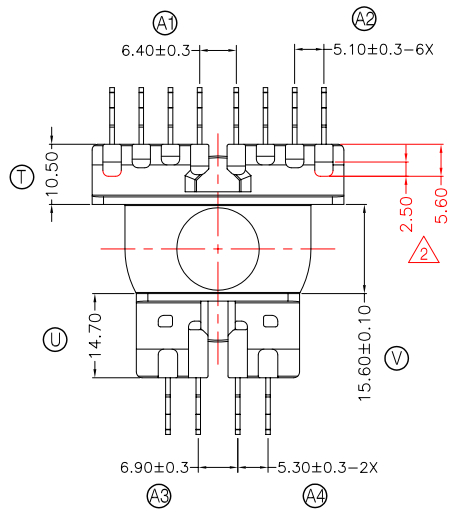
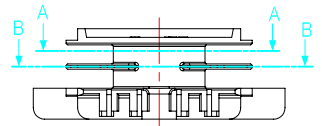
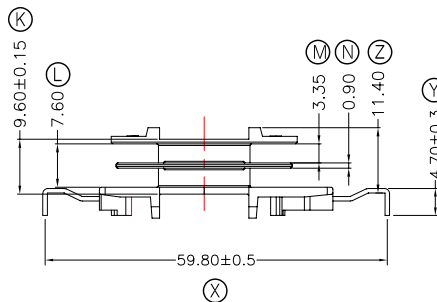
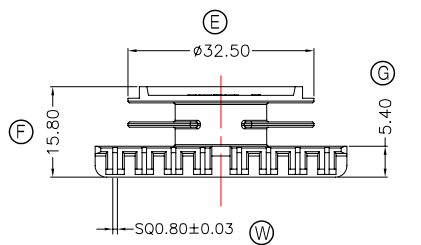
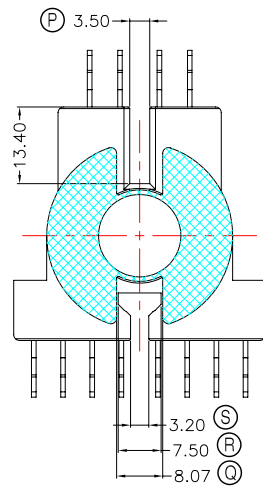
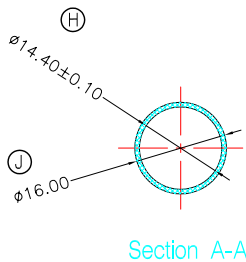
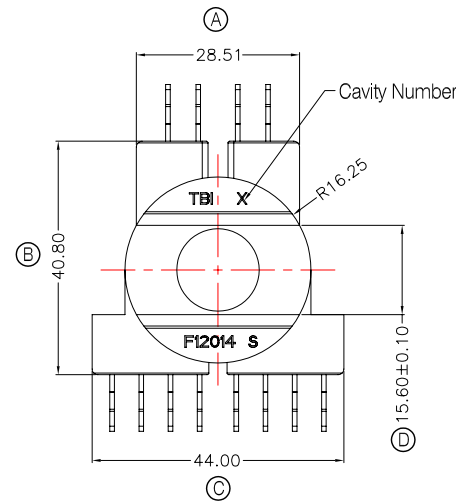




**TRANSFORMER BOBBIN INDUSTRIAL CO.,LTD.**

Tel : 86-769-88789999 Fax : 86-769-88789989  
 http:// tbi-tw.com e-mail : tb6688@ms46.hinet.net

REVISIONS				
REV	SYM	DRAFTER	CHECKER	DATE
1		X.H.GU	G.F.YANG	02/24/12
2		F.LU	G.F.YANG	05/17/12
3				



- Notes:
- 1.Max permissible flashes are 0.1mm.
  - 2.Max flashes in winding area are 0.05mm.
  - 3.Pin tension load: 1.0kg Min

DWG NO.	ER4117-12P-THT-0A-12-2S				
PART NO.	MATERIAL (BOBBIN)	MATERIAL (TERMINAL)	TERMINAL (PLATING)	PIN ALLOCATION	NOTE
TBI-204-20012.1206	PM-9820	CP WIRE	Sn	ALL PIN	F12014 S
					H
TOLERANCE: ±0.2				UNIT : m / m	SCALE 1 : 1

Finish: 1. PB wire Immersion Sn on terminal : Thickness:Sn plating,100,5 μm (200 μ inches) min,Base nickel 0.625 μm (25 μ inches) min.  
 2. CP wire Immersion Sn on terminal : Thickness:Sn plating,100,5 μm (200 μ inches) min.  
 3. Coplanarity deviation: 0.10 mm (0.004 inches) max.

REV	2
-----	---