

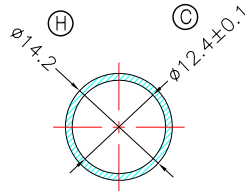
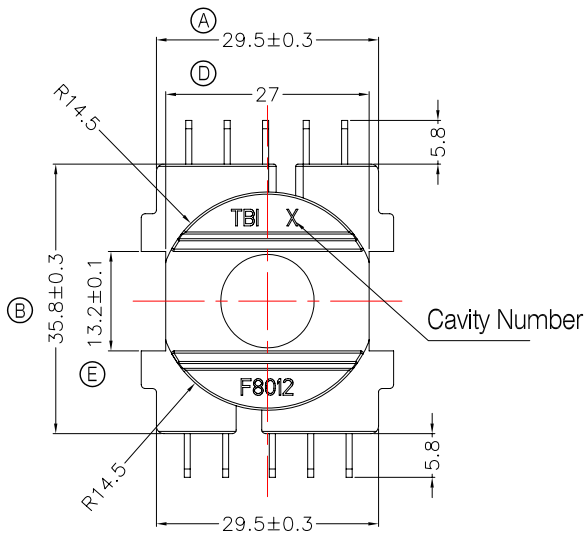


TRANSFORMER BOBBIN
INDUSTRIAL CO.,LTD.

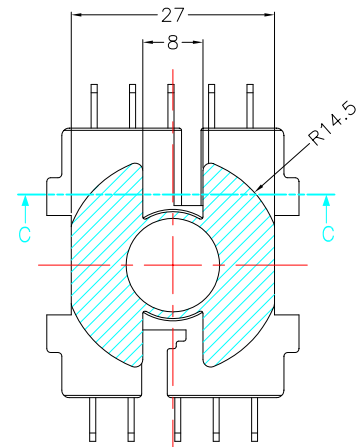
Tel : 86-769-88789999 Fax : 86-769-88789999
http:// tbi-tw.com e-mail : tb6688@ms46.hinet.net

REVISIONS

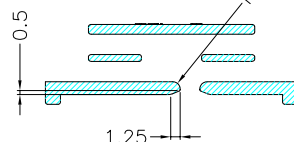
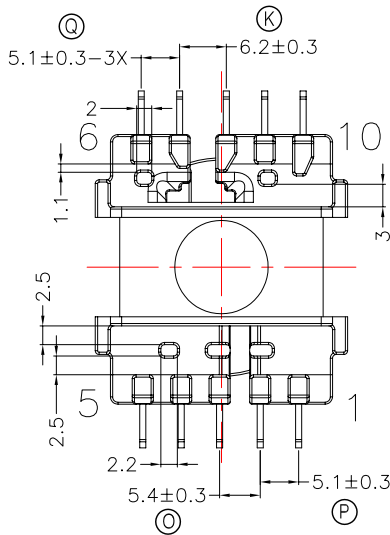
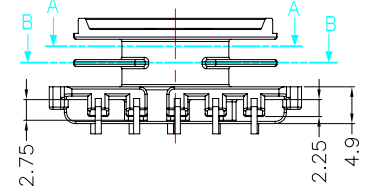
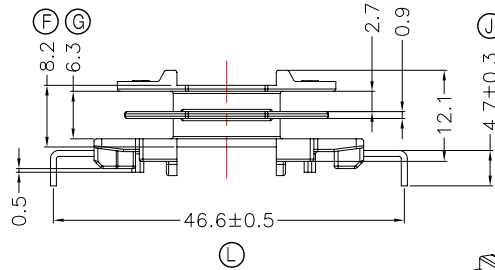
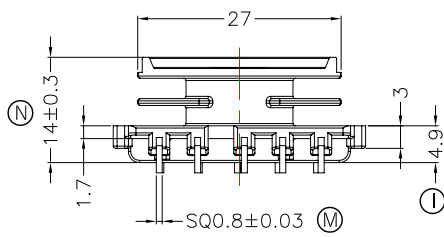
REV	SYM	DRAFTER	CHECKER	DATE
1		X.H.GU	G.F.YANG	02/24/12
2				
3				



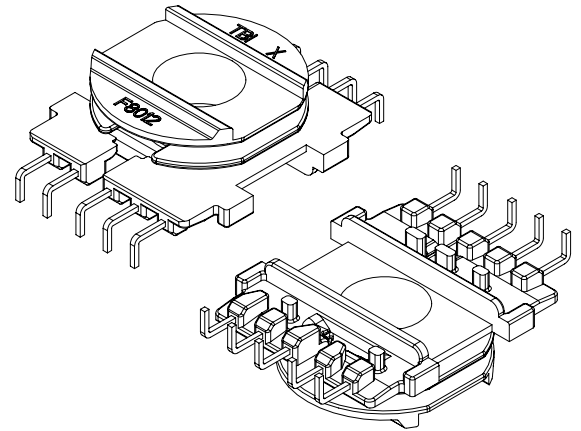
Section A-A



Section B-B



Section C-C

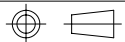


Notes:

- 1.Max permissible flashes are 0.1mm.
- 2.Max flashes in winding area are 0.05mm.
- 3.Pin tension load: 1.0kg Min

DWG NO. ER3515-10P-TL-1E-12-2S

PART NO.	MATERIAL (BOBBIN)	MATERIAL (TERMINAL)	TERMINAL (PLATING)	PIN ALLOCATION	NOTE
TBI-204-05162.1206	PM-9820	CP WIRE	Sn	ALL PIN	F8012 T22
TBI-204-05162.1216	PM-9820	CP WIRE	Sn	CUT PIN # 8	H



TOLERANCE: ±0.2

UNIT : m / m

SCALE 1 : 1

Finish: 1. PB wire Immersion Sn on terminal : Thickness:Sn plating, 100,5 μm (200 μ inches) min, Base nickel 0.625 μm (25 μ inches) min.
2. CP wire Immersion Sn on terminal : Thickness:Sn plating, 100,5 μm (200 μ inches) min.
3. Coplanarity deviation: 0.10 mm (0.004 inches) max.

REV 1