



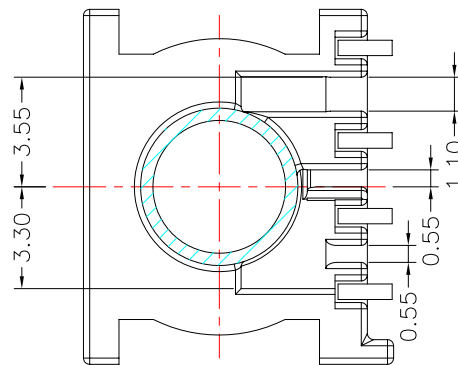
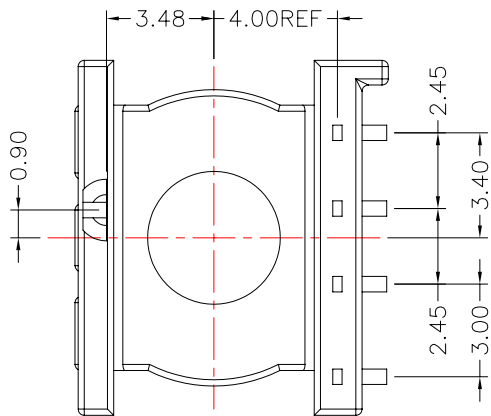
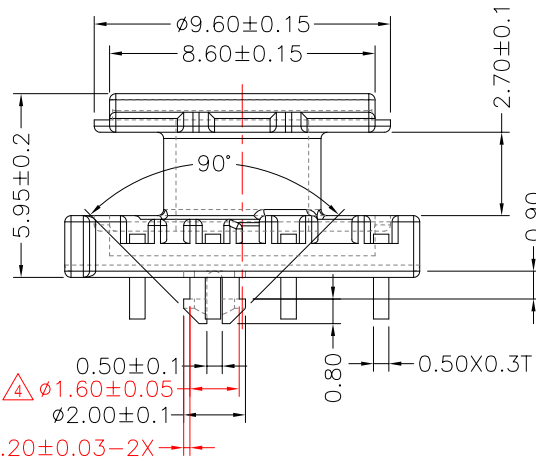
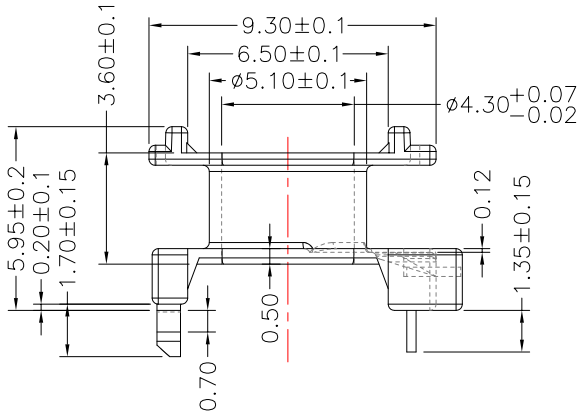
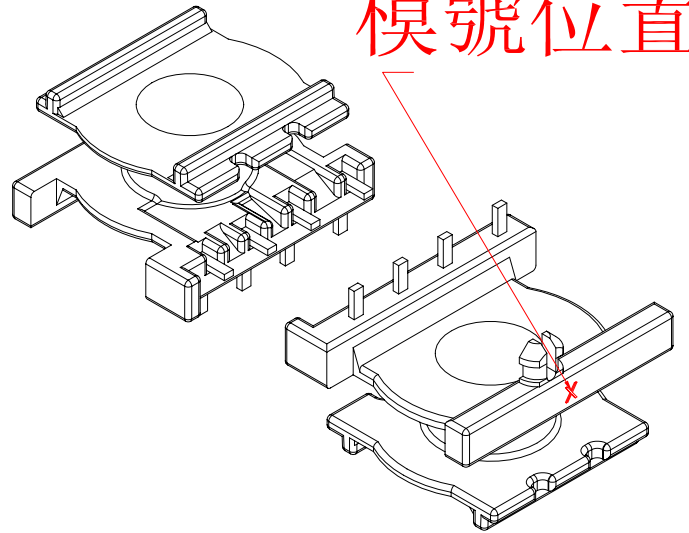
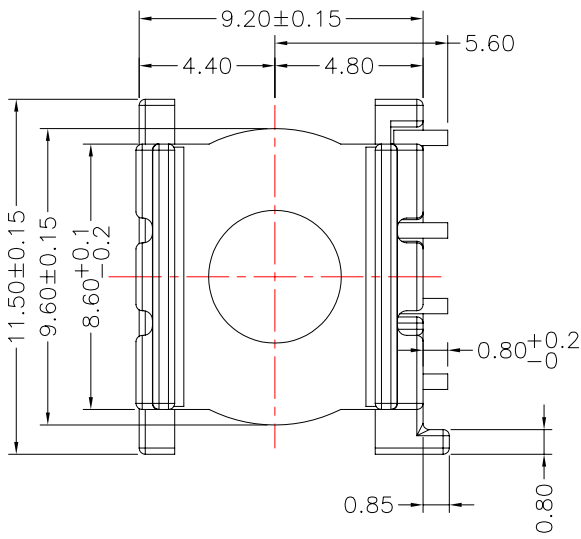
TRANSFORMER BOBBIN
INDUSTRIAL CO.,LTD.

Tel : 86-769-88789999 Fax : 86-769-88789989
http:// tbi-tw.com e-mail : tb6688@ms46.hinet.net

REVISIONS

REV	SYM	DRAFTER	CHECKER	DATE
2		F.LU	G.F.YANG	12/24/12
3		X.H.GU	G.F.YANG	02/08/13
4		G.F.YANG	W.H.HSU	03/04/14

模號位置



NOTE: 不能添加水口料
推力1.0kg Min
CORE TYPE :EER12.7/6.1

DWG NO. ER12.7-4P-THL-A-75

PART NO.	MATERIAL (BOBBIN)	MATERIAL (TERMINAL)	TERMINAL (PLATING)	PIN ALLOCATION	NOTE
TBI-204-17011.7506	FR52G30NH(BK)	CP WIRE	Sn	ALL PIN	S H.C

TOLERANCE: 0<L<=10 ±0.1 10<L<=30 ±0.15 30<L<=100 ±0.2 Angle: ±1°

UNIT : m / m

SCALE 1 : 1

Finish: 1. PB wire Immersion Sn on terminal : Thickness:Sn plating,100,5 μm (200 μ inches) min,Base nickel 0.625 μm (25 μ inches) min.
2. CP wire Immersion Sn on terminal : Thickness:Sn plating,100,5 μm (200 μ inches) min.
3. Coplanarity deviation: 0.10 mm (0.004 inches) max.

REV 4