

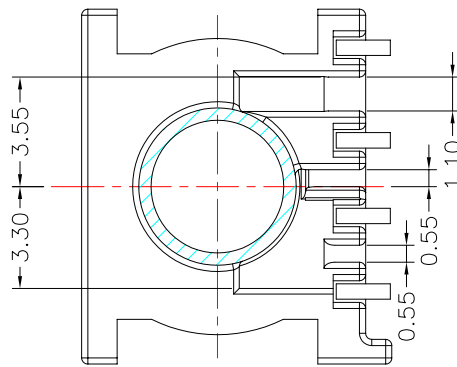
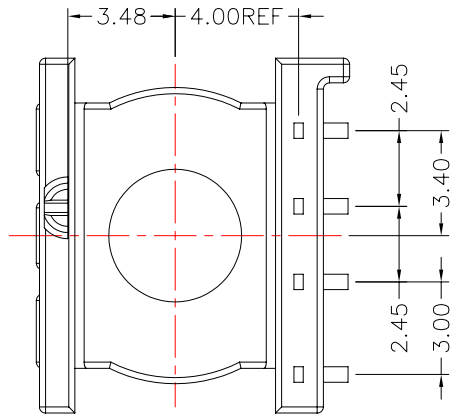
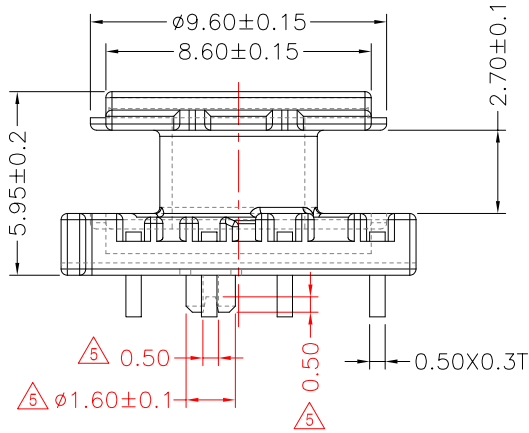
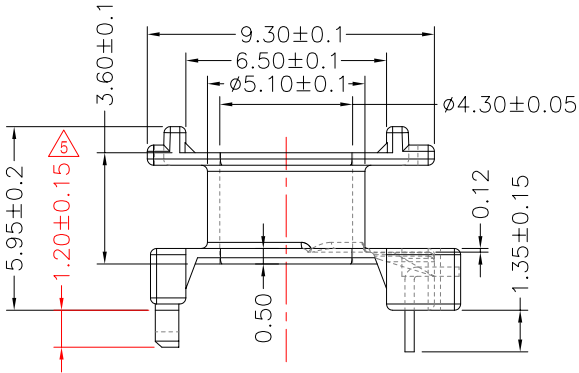
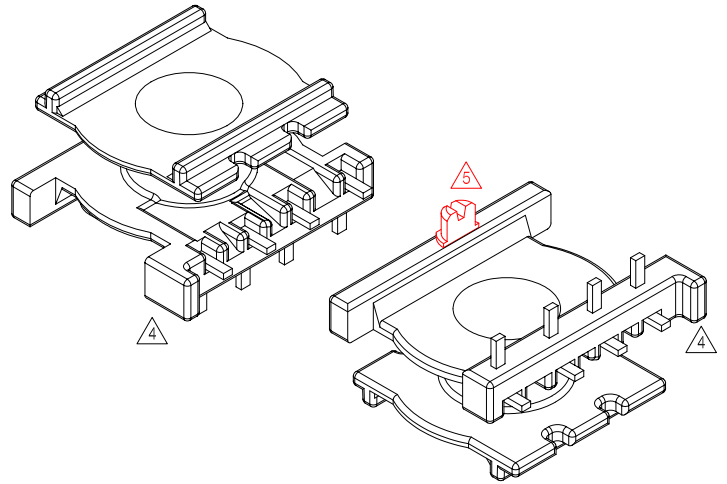
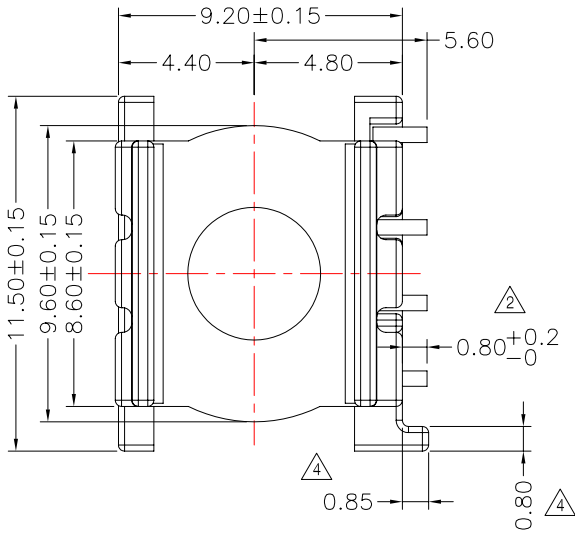


TRANSFORMER BOBBIN INDUSTRIAL CO.,LTD.

Tel : 86-769-88789999 Fax : 86-769-88789989
 http:// tbi-tw.com e-mail : tb6688@ms46.hinet.net

REVISIONS

| REV | SYM | DRAFTER | CHECKER | DATE |
|-----|-----|---------|----------|----------|
| 3 | | X.H.GU | G.F.YANG | 04/18/11 |
| 4 | | X.H.GU | G.F.YANG | 05/03/11 |
| 5 | | X.H.GU | G.F.YANG | 06/08/11 |



NOTE:
 推力1.0kg Min
 CORE TYPE :EER12.7/6.1

| | | | | | |
|--|--------------------|---------------------|--------------------|----------------|-------------|
| DWG NO. | ER12.7-4P-THL-A-31 | | | | |
| PART NO. | MATERIAL (BOBBIN) | MATERIAL (TERMINAL) | TERMINAL (PLATING) | PIN ALLOCATION | NOTE |
| TBI-204-17011.3106 | LCP E4008(BK) | CP WIRE | Sn | ALL PIN | S |
| | | | | | |
| | | | | | |
| | | | | | |
| TOLERANCE: 0<L<=10 ±0.1 10<L<=30 ±0.15 30<L<=100 ±0.2 Angle: ±1° | | | | UNIT : m / m | SCALE 1 : 1 |

Finish: 1. PB wire Immersion Sn on terminal : Thickness:Sn plating,100,5 μm (200 μ inches) min,Base nickel 0.625 μm (25 μ inches) min.
 2. CP wire Immersion Sn on terminal : Thickness:Sn plating,100,5 μm (200 μ inches) min.
 3. Coplanarity deviation: 0.10 mm (0.004 inches) max.

REV 5