

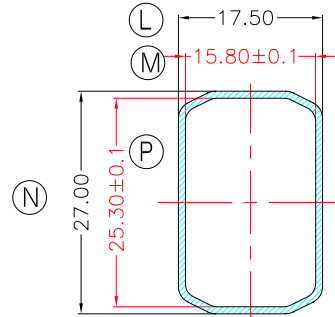
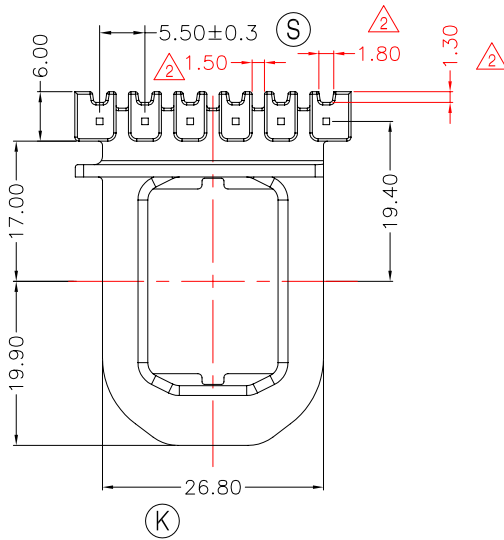
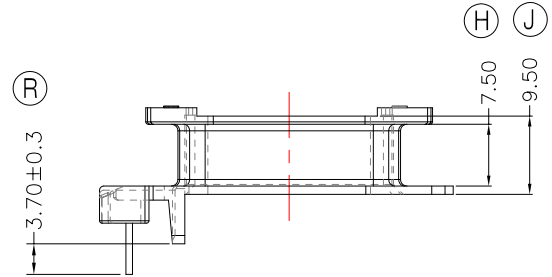
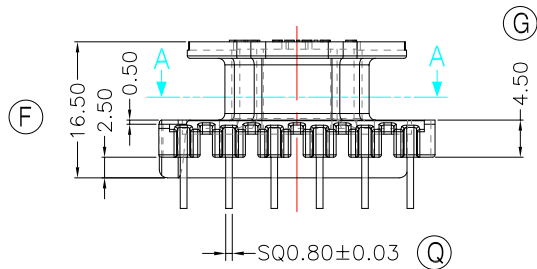
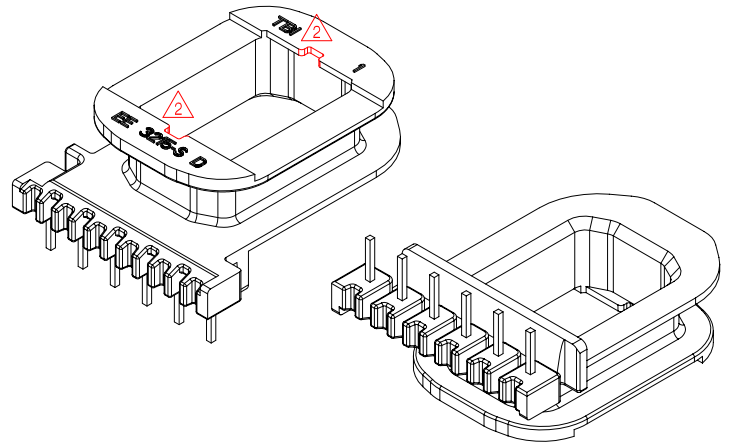
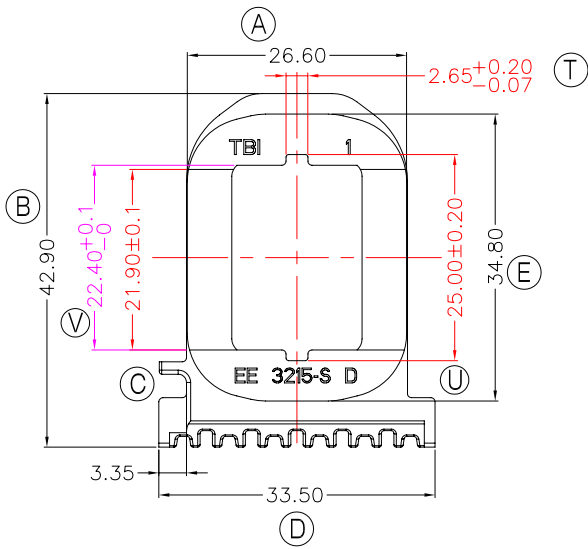


TRANSFORMER BOBBIN  
INDUSTRIAL CO.,LTD.

Tel : 86-769-88789999 Fax : 86-769-88789989  
http:// tbi-tw.com e-mail : tb6688@ms46.hinet.net

REVISIONS

REV	SYM	DRAFTER	CHECKER	DATE
1		X.H.GU	G.F.YANG	09/22/11
2		X.H.GU	G.F.YANG	10/08/11
3				



Section A-A

Notes:

- 1. Max permissible flash are 0.1mm.
- 2. Max flash in winding area are 0.05mm.
- PIN TENSION LOAD: 1.0kg Min

DWG NO.	EE32-15D-6P-TH-5.5-A-12 <span style="color:red">⚠</span>				
PART NO.	MATERIAL (BOBBIN)	MATERIAL (TERMINAL)	TERMINAL (PLATING)	PIN ALLOCATION	NOTE
TBI-201-29011.1206	PM-9820	CP WIRE	Sn	ALL PIN	EE 3215D 6PIN -S S H
TOLERANCE: ±0.2			UNIT : m / m	SCALE 1 : 1	
Finish: 1. PB wire Immersion Sn on terminal : Thickness:Sn plating,100,5 μm (200 μ inches) min,Base nickel 0.625 μm (25 μ inches) min. 2. CP wire Immersion Sn on terminal : Thickness:Sn plating,100,5 μm (200 μ inches) min. 3. Coplanarity deviation: 0.10 mm (0.004 inches) max.					REV 2