

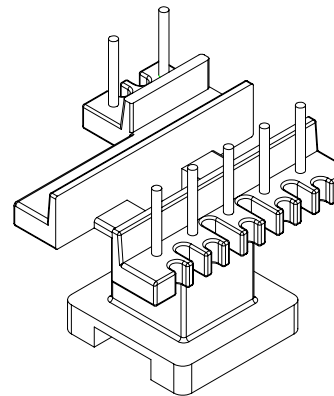
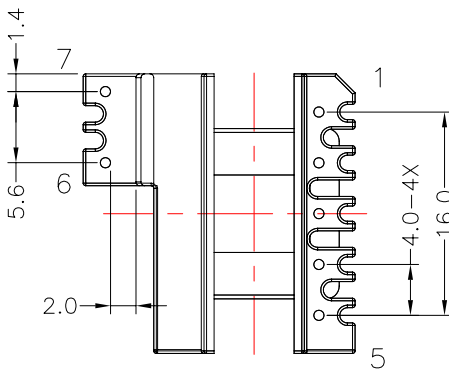
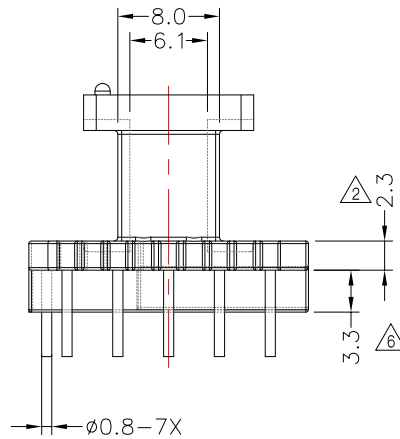
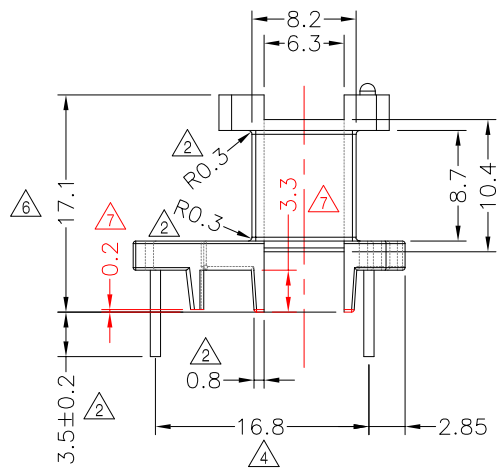
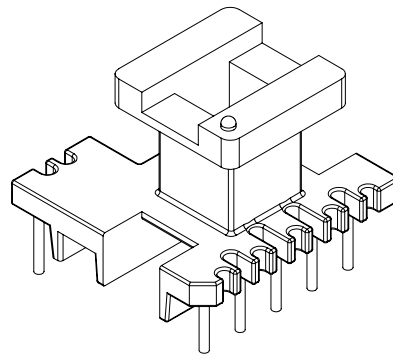
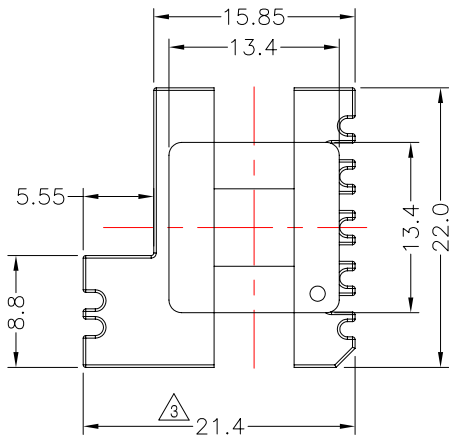


**TRANSFORMER BOBBIN
INDUSTRIAL CO.,LTD.**

Tel : 86-769-88789999 Fax : 86-769-88789989
 http:// tbi-tw.com e-mail : tb6688@ms46.hinet.net

REVISIONS

| REV | SYM | DRAFTER | CHECKER | DATE |
|-----|-----|----------|----------|----------|
| 5 | | G.F.YANG | W.H.HSU | 12/25/10 |
| 6 | | X.H.GU | G.F.YANG | 02/12/11 |
| 7 | | X.H.GU | G.F.YANG | 02/18/11 |



DWG NO. EE22-7P-TH-C-14

| PART NO. | MATERIAL (BOBBIN) | MATERIAL (TERMINAL) | TERMINAL (PLATING) | PIN ALLOCATION | NOTE |
|--------------------|-------------------|---------------------|--------------------|----------------|------|
| TBI-201-08031.1406 | T375J | CP WIRE | Sn | ALL PIN | S |
| TBI-201-08031.1416 | T375J | CP WIRE | Sn | CUT PIN #4 | H |
| | | | | | |
| | | | | | |
| | | | | | |

| PART NO. | MATERIAL (BOBBIN) | MATERIAL (TERMINAL) | TERMINAL (PLATING) | PIN ALLOCATION | NOTE |
|--------------------|-------------------|---------------------|--------------------|----------------|------|
| TBI-201-08031.1406 | T375J | CP WIRE | Sn | ALL PIN | S |
| TBI-201-08031.1416 | T375J | CP WIRE | Sn | CUT PIN #4 | H |
| | | | | | |
| | | | | | |
| | | | | | |

| PART NO. | MATERIAL (BOBBIN) | MATERIAL (TERMINAL) | TERMINAL (PLATING) | PIN ALLOCATION | NOTE |
|--------------------|-------------------|---------------------|--------------------|----------------|------|
| TBI-201-08031.1406 | T375J | CP WIRE | Sn | ALL PIN | S |
| TBI-201-08031.1416 | T375J | CP WIRE | Sn | CUT PIN #4 | H |
| | | | | | |
| | | | | | |
| | | | | | |

| PART NO. | MATERIAL (BOBBIN) | MATERIAL (TERMINAL) | TERMINAL (PLATING) | PIN ALLOCATION | NOTE |
|--------------------|-------------------|---------------------|--------------------|----------------|------|
| TBI-201-08031.1406 | T375J | CP WIRE | Sn | ALL PIN | S |
| TBI-201-08031.1416 | T375J | CP WIRE | Sn | CUT PIN #4 | H |
| | | | | | |
| | | | | | |
| | | | | | |

| PART NO. | MATERIAL (BOBBIN) | MATERIAL (TERMINAL) | TERMINAL (PLATING) | PIN ALLOCATION | NOTE |
|--------------------|-------------------|---------------------|--------------------|----------------|------|
| TBI-201-08031.1406 | T375J | CP WIRE | Sn | ALL PIN | S |
| TBI-201-08031.1416 | T375J | CP WIRE | Sn | CUT PIN #4 | H |
| | | | | | |
| | | | | | |
| | | | | | |

| PART NO. | MATERIAL (BOBBIN) | MATERIAL (TERMINAL) | TERMINAL (PLATING) | PIN ALLOCATION | NOTE |
|--------------------|-------------------|---------------------|--------------------|----------------|------|
| TBI-201-08031.1406 | T375J | CP WIRE | Sn | ALL PIN | S |
| TBI-201-08031.1416 | T375J | CP WIRE | Sn | CUT PIN #4 | H |
| | | | | | |
| | | | | | |
| | | | | | |

| PART NO. | MATERIAL (BOBBIN) | MATERIAL (TERMINAL) | TERMINAL (PLATING) | PIN ALLOCATION | NOTE |
|--------------------|-------------------|---------------------|--------------------|----------------|------|
| TBI-201-08031.1406 | T375J | CP WIRE | Sn | ALL PIN | S |
| TBI-201-08031.1416 | T375J | CP WIRE | Sn | CUT PIN #4 | H |
| | | | | | |
| | | | | | |
| | | | | | |

| PART NO. | MATERIAL (BOBBIN) | MATERIAL (TERMINAL) | TERMINAL (PLATING) | PIN ALLOCATION | NOTE |
|--------------------|-------------------|---------------------|--------------------|----------------|------|
| TBI-201-08031.1406 | T375J | CP WIRE | Sn | ALL PIN | S |
| TBI-201-08031.1416 | T375J | CP WIRE | Sn | CUT PIN #4 | H |
| | | | | | |
| | | | | | |
| | | | | | |

| PART NO. | MATERIAL (BOBBIN) | MATERIAL (TERMINAL) | TERMINAL (PLATING) | PIN ALLOCATION | NOTE |
|--------------------|-------------------|---------------------|--------------------|----------------|------|
| TBI-201-08031.1406 | T375J | CP WIRE | Sn | ALL PIN | S |
| TBI-201-08031.1416 | T375J | CP WIRE | Sn | CUT PIN #4 | H |
| | | | | | |
| | | | | | |
| | | | | | |

| PART NO. | MATERIAL (BOBBIN) | MATERIAL (TERMINAL) | TERMINAL (PLATING) | PIN ALLOCATION | NOTE |
|--------------------|-------------------|---------------------|--------------------|----------------|------|
| TBI-201-08031.1406 | T375J | CP WIRE | Sn | ALL PIN | S |
| TBI-201-08031.1416 | T375J | CP WIRE | Sn | CUT PIN #4 | H |
| | | | | | |
| | | | | | |
| | | | | | |

| PART NO. | MATERIAL (BOBBIN) | MATERIAL (TERMINAL) | TERMINAL (PLATING) | PIN ALLOCATION | NOTE |
|--------------------|-------------------|---------------------|--------------------|----------------|------|
| TBI-201-08031.1406 | T375J | CP WIRE | Sn | ALL PIN | S |
| TBI-201-08031.1416 | T375J | CP WIRE | Sn | CUT PIN #4 | H |
| | | | | | |
| | | | | | |
| | | | | | |

Finish: 1. PB wire Immersion Sn on terminal : Thickness:Sn plating,100,5 μm (200 μ inches) min,Base nickel 1-2 μm (40-80 μ inches) min.
 2. CP wire Immersion Sn on terminal : Thickness:Sn plating,100,5 μm (200 μ inches) min.
 3. Coplanarity deviation: 0.10 mm (0.004 inches) max.

REV 7