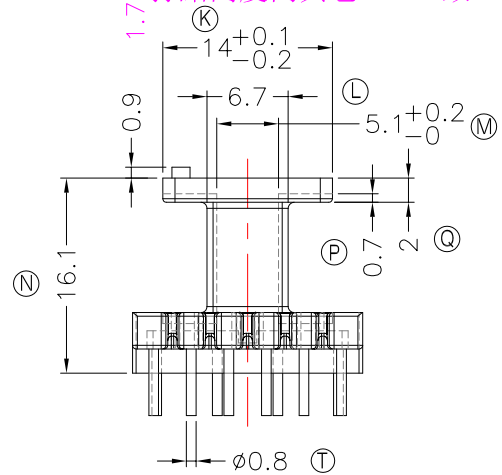
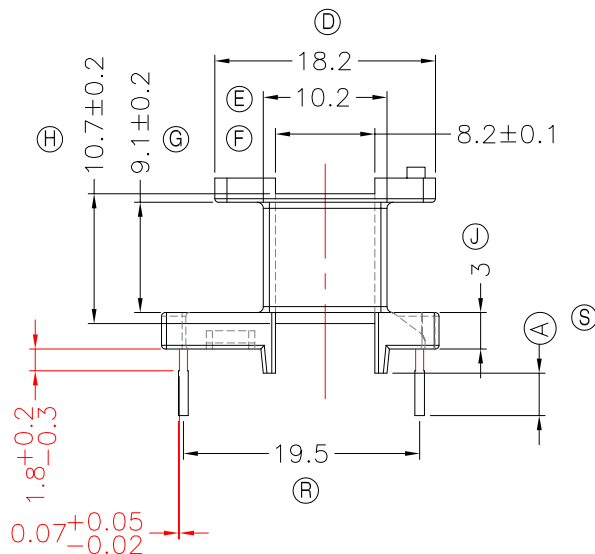
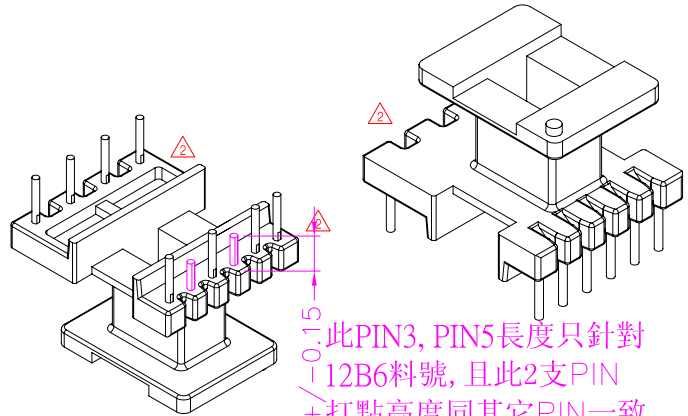
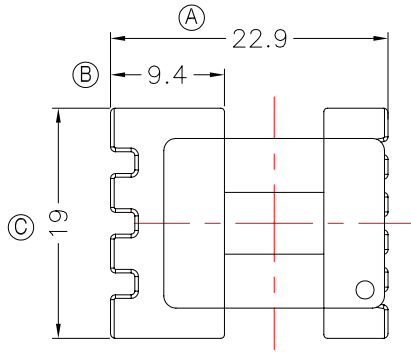




TRANSFORMER BOBBIN INDUSTRIAL CO.,LTD.

Tel : 86-769-88789999 Fax : 86-769-88789989  
http:// tbi-tw.com e-mail : tb6688@ms46.hinet.net

REVISIONS				
REV	SYM	DRAFTER	CHECKER	DATE
△1		X.H.GU	G.F.YANG	04/11/11
△2		F.LU	G.F.YANG	01/10/13
△3				



注:

1. 焊錫前拉力: 1.0KG MIN;
2. 焊錫後拉力: 1.5KG MIN;
3. 任意一點強度須2.0kg MIN;
4. PIN咬花外露處有露銅現象;

DWG NO.	EE19-16C-10P-TH-A2-12 △2				
PART NO.	MATERIAL (BOBBIN)	MATERIAL (TERMINAL)	TERMINAL (PLATING)	PIN ALLOCATION	NOTE
TBI-201-01121.1206	PM-9820	CP WIRE	Sn	ALL PIN (A)=3.5±0.2	S
TBI-201-01121.1216	PM-9820	CP WIRE	Sn	CUT PIN#6,7,9 (A)=3.5±0.2	H
TBI-201-01121.1226	PM-9820	CP WIRE	Sn	CUT PIN#6,7,8 (A)=3.0±0.2/-0.1	
TBI-201-01121.1236	PM-9820	CP WIRE	Sn	CUT PIN#7 (A)=3.2±0.2	
TBI-201-01121.1246	PM-9820	CP WIRE	Sn	CUT PIN#6,7,8 (A)=3.5±0.2	
TBI-201-01121.1256	PM-9820	CP WIRE	Sn	ALL PIN (A)=3.0±0.2	
TBI-201-01121.1266	PM-9820	CP WIRE	Sn	CUT PIN#6,7,8 (A)=3.2±0.2	
TBI-201-01121.1276	PM-9820	CP WIRE	Sn	CUT PIN#6,7,9 (A)=3.2±0.2	
TBI-201-01121.1286	PM-9820	CP WIRE	Sn	ALL PIN (A)=3.2±0.2	
TBI-201-01121.1296	PM-9820	CP WIRE	Sn	CUT PIN#7,8 (A)=3.2±0.2	
TBI-201-01121.12A6	PM-9820	CP WIRE	Sn	CUT PIN#4,7,10 (A)=3.2±0.2	
TBI-201-01121.12B6	PM-9820	CP WIRE	Sn	CUT PIN#7,10 (A)=3.2±0.2	PIN3, PIN5長度1.7+/-0.15 從插PIN面測量

TOLERANCE: 0<L<=4: ±0.1 4<L<=16: ±0.2 16<L<=63: ±0.3 UNIT : m / m SCALE 1 : 1

Finish: 1. PB wire Immersion Sn on terminal : Thickness: Sn plating, 100,5 μm (200 μ inches) min. Base nickel 0.625 μm (25 μ inches) min.  
2. CP wire Immersion Sn on terminal : Thickness: Sn plating, 100,5 μm (200 μ inches) min.  
3. Coplanarity deviation: 0.10 mm (0.004 inches) max.

REV 2