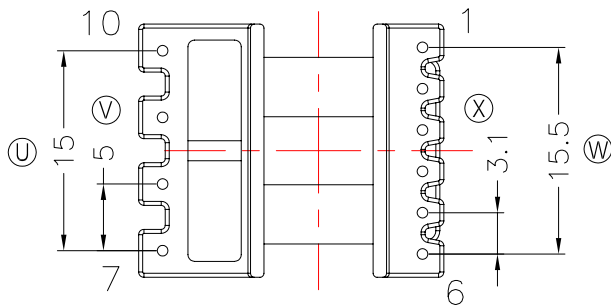
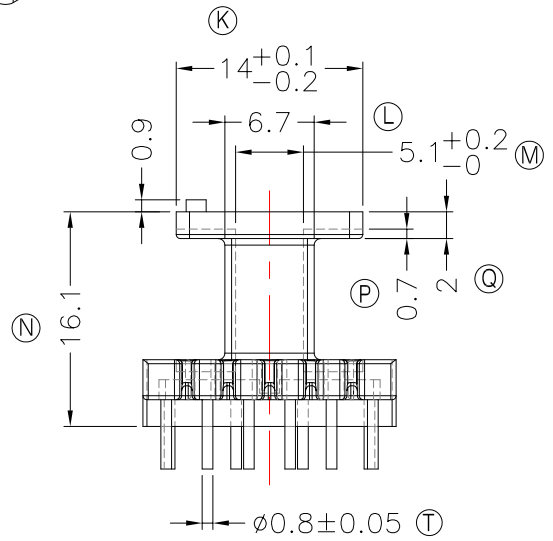
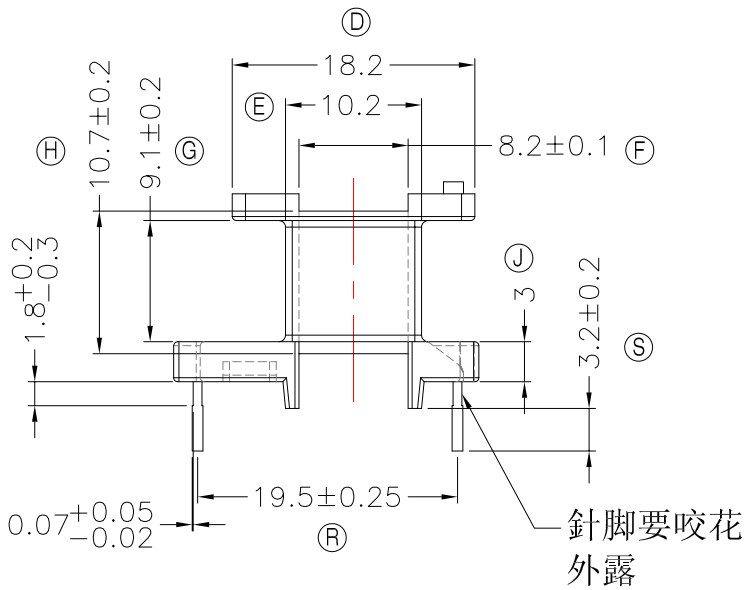
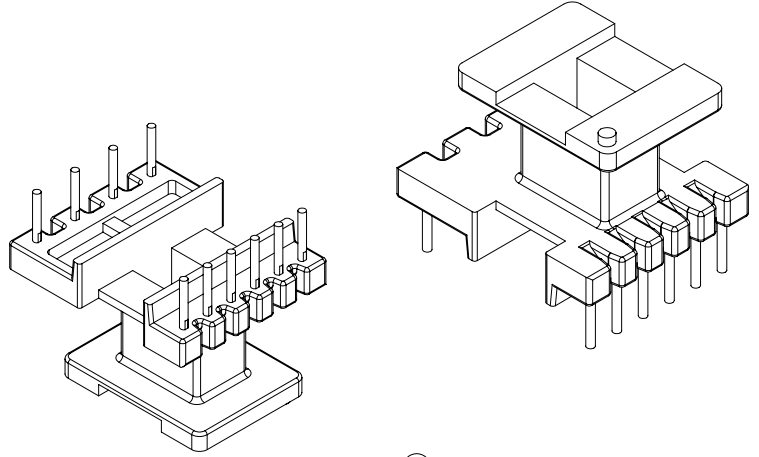
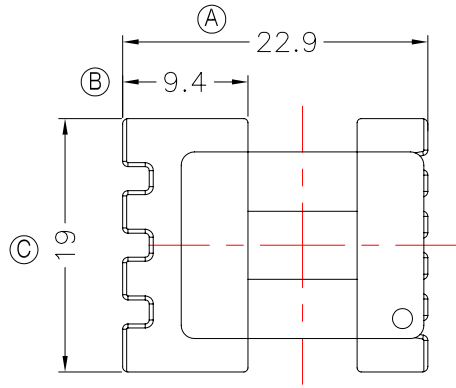




TRANSFORMER BOBBIN
INDUSTRIAL CO.,LTD.

Tel : 86-769-88789999 Fax : 86-769-88789989
http:// tbi-tw.com e-mail : tb6688@ms46.hinet.net

REVISIONS				
REV	SYM	DRAFTER	CHECKER	DATE
①		X.H.GU	G.F.YANG	04/17/15
②				
③				



NOTE:

- 1.耐壓4.0Kv /1.5mA 60S;
- 2.焊錫溫度:450°±10° 3SEC;
- 3.任意一點強度須2.0kg MIN;
- 4.焊錫前拉力:1.5KG MIN,焊錫後拉力:2.0KG MIN;

DWG NO.	EE19-16C-10P-TH-A2-11				
PART NO.	MATERIAL (BOBBIN)	MATERIAL (TERMINAL)	TERMINAL (PLATING)	PIN ALLOCATION	NOTE
TBI-201-01121.1106	PM-9630	CP WIRE	Sn	ALL PIN	S
TBI-201-01121.1116	PM-9630	CP WIRE	Sn	CUT PIN#7,10	H
TOLERANCE: 0<L≤4;±0.1 4<L≤16;±0.2 16<L≤63;±0.3				UNIT : m / m	SCALE 1 : 1
Finish: 1. PB wire Immersion Sn on terminal : Thickness:Sn plating,100%,5 μm (200 μ inches) min,Base nickel 0.625 μm (25 μ inches) min. 2. CP wire Immersion Sn on terminal : Thickness:Sn plating,100%,5 μm (200 μ inches) min. 3. Coplanarity deviation: 0.10 mm (0.004 inches)max.					REV 1