

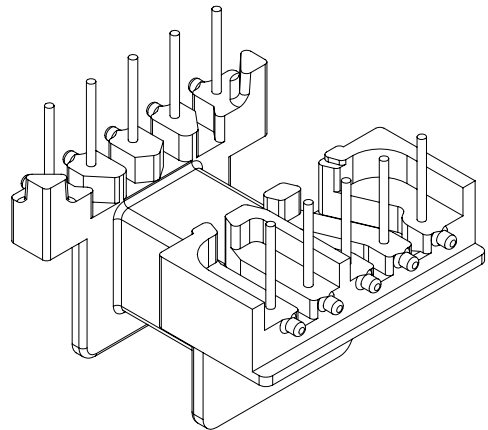
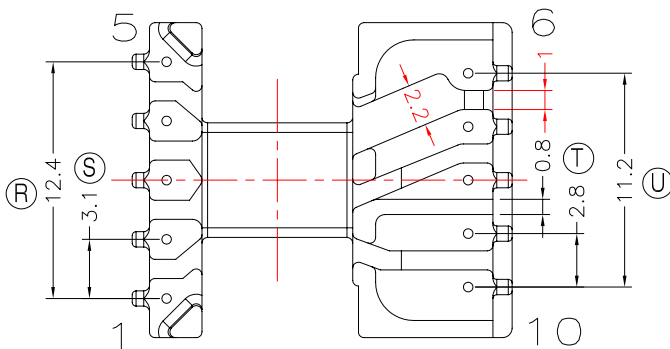
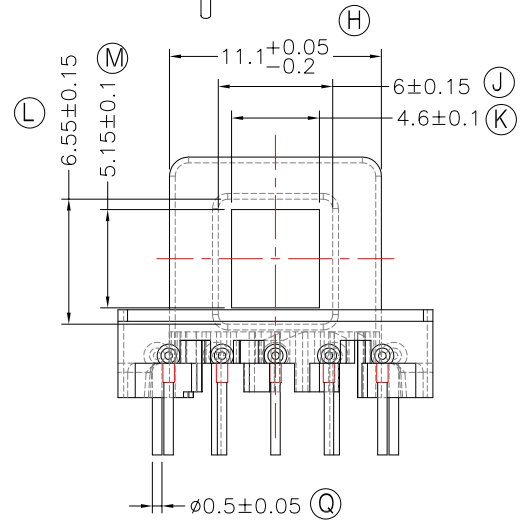
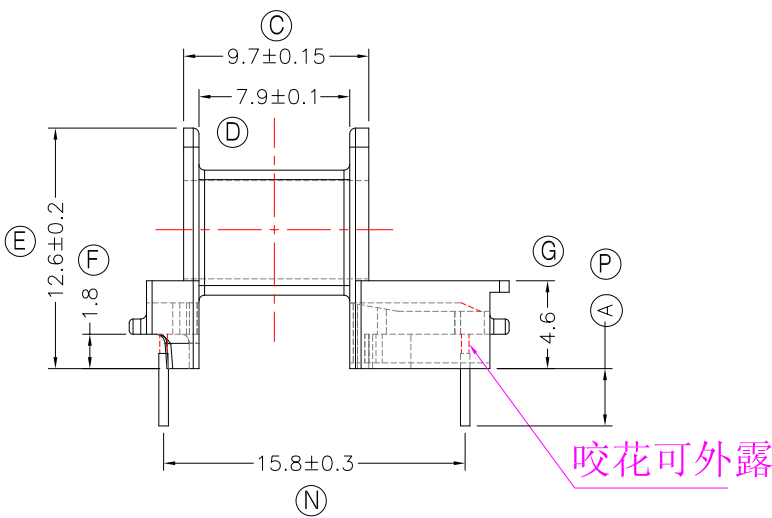
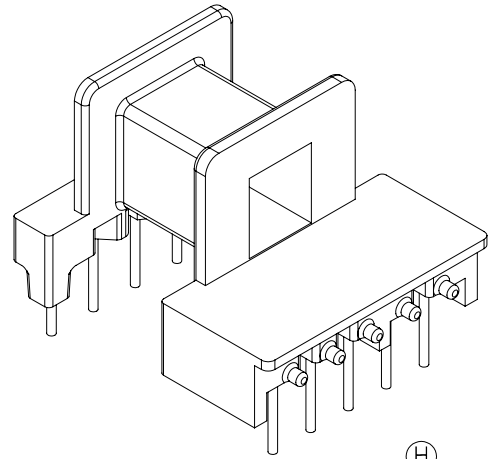
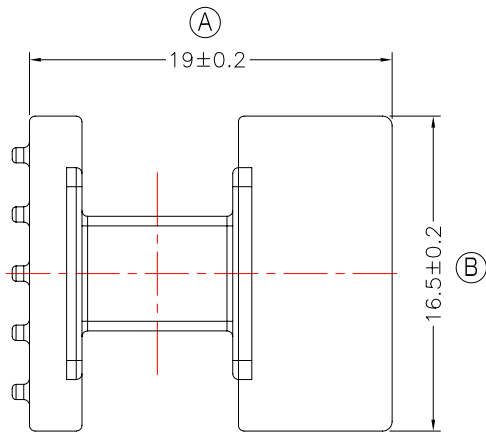


**TRANSFORMER BOBBIN  
INDUSTRIAL CO.,LTD.**

Tel : 86-769-88789999 Fax : 86-769-88789999  
http:// tbi-tw.com e-mail : tb6688@ms46.hinet.net

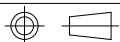
REVISIONS

REV	SYM	DRAFTER	CHECKER	DATE
1		X.H.GU	G.F.YANG	04/08/13
2				
3				



DWG NO. EE16-14-10P-TH-A6-12

PART NO.	MATERIAL (BOBBIN)	MATERIAL (TERMINAL)	TERMINAL (PLATING)	PIN ALLOCATION	NOTE
TBI-201-09161.1206	PM-9820	CP WIRE	Sn	ALL PIN (A)=3.0±0.2	H
TBI-201-09161.1216	PM-9820	CP WIRE	Sn	CUT PIN#10 (A)=2.9±0.2	
TBI-201-09161.1226	PM-9820	CP WIRE	Sn	CUT PIN#10 (A)=3.0±0.2	
TBI-201-09161.1236	PM-9820	CP WIRE	Sn	CUT PIN#6,8,10 (A)=3.2±0.2	
TBI-201-09161.1246	PM-9820	CP WIRE	Sn	CUT PIN#3,6,8,10 (A)=3.2±0.2	



TOLERANCE: 0<L≤4 : ±0.1 4<L≤16 : ±0.2 16<L : ±0.3 Angle: ±1°

UNIT : m / m

SCALE 1 : 1

Finish: 1. PB wire Immersion Sn on terminal : Thickness:Sn plating,100,5 μm (200 μ inches) min,Base nickel 0.625 μm (25 μ inches) min.  
2. CP wire Immersion Sn on terminal : Thickness:Sn plating,100,5 μm (200 μ inches) min.  
3. Coplanarity deviation: 0.10 mm (0.004 inches)max.

REV 1