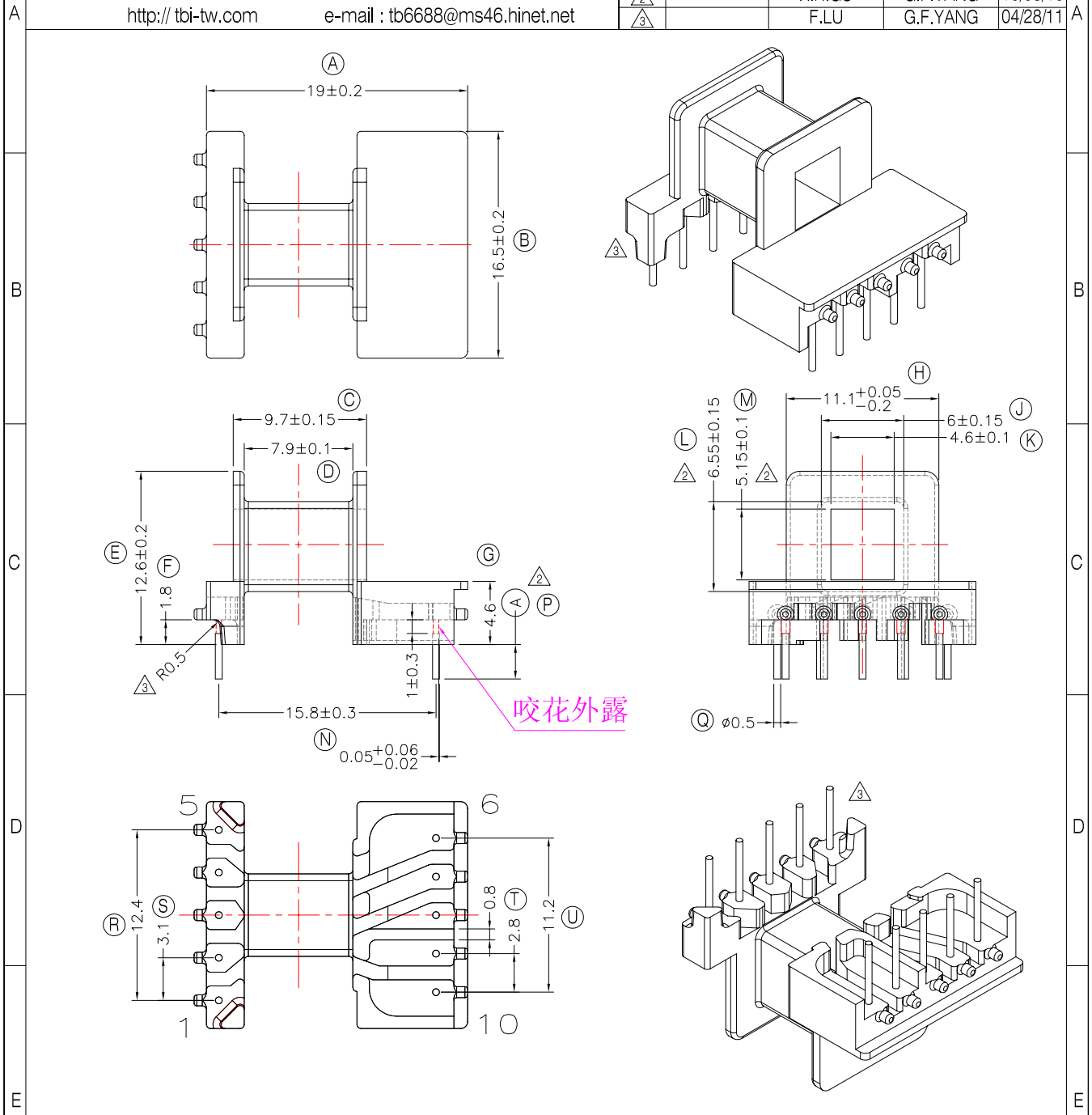




TRANSFORMER BOBBIN
INDUSTRIAL CO.,LTD.

Tel : 86-769-88789999 Fax : 86-769-88789989
http:// tbi-tw.com e-mail : tb6688@ms46.hinet.net

REVISIONS				
REV	SYM	DRAFTER	CHECKER	DATE
△1		G.F.YANG	W.H.HSU	06/23/10
△2		X.H.GU	G.F.YANG	10/08/10
△3		F.LU	G.F.YANG	04/28/11



DWG NO. EE16-14-10P-TH-H-12

PART NO.	MATERIAL (BOBBIN)	MATERIAL (TERMINAL)	TERMINAL (PLATING)	PIN ALLOCATION	NOTE
TBI-201-09081.1206	PM-9820	CP WIRE	Sn	ALL PIN (A)=2.5±0.2	S
TBI-201-09081.1216	PM-9820	CP WIRE	Sn	CUT PIN#2,8,9 (A)=2.5±0.2	H
TBI-201-09081.1226	PM-9820	CP WIRE	Sn	CUT PIN#4,7,8,9 (A)=3.5±0.2	
TBI-201-09081.1236	PM-9820	CP WIRE	Sn	CUT PIN#4,7,8,9 (A)=3.2±0.2	
TBI-201-09081.1246	PM-9820	CP WIRE	Sn	CUT PIN#6,8,10 (A)=3.2±0.2	
TBI-201-09081.1256	PM-9820	CP WIRE	Sn	CUT PIN#3,8,9 (A)=3.2±0.2	
TBI-201-09081.1266	PM-9820	CP WIRE	Sn	CUT PIN#10 (A)=3.2±0.2	
TBI-201-09081.1276	PM-9820	CP WIRE	Sn	CUT PIN#4,7 (A)=3.2±0.2	
TBI-201-09081.1286	PM-9820	CP WIRE	Sn	CUT PIN#7,8,9 (A)=4.5±0.2	
TBI-201-09081.1296	PM-9820	CP WIRE	Sn	CUT PIN#3,8,9 (A)=2.9±0.2	
TBI-201-09081.12A6	PM-9820	CP WIRE	Sn	CUT PIN#10 (A)=2.9±0.2	
TBI-201-09081.12B6	PM-9820	CP WIRE	Sn	CUT PIN#1,2,4,6,8,10 (A)=3.2±0.2	

TOLERANCE: 0<L≤4: ±0.1 4<L≤16: ±0.2 16<L: ±0.3 Angle: ±1° UNIT : m / m SCALE 1 : 1

Finish: 1. PB wire Immersion Sn on terminal : Thickness:Sn plating,100,5 μm (200 μ inches) min,Base nickel 0.625 μm (25 μ inches) min.
2. CP wire Immersion Sn on terminal : Thickness:Sn plating,100,5 μm (200 μ inches) min.
3. Coplanarity deviation: 0.10 mm (0.004 inches) max.

REV 3