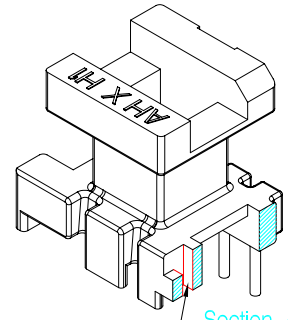
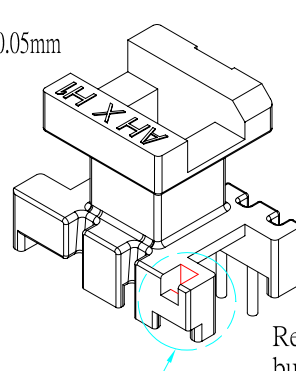
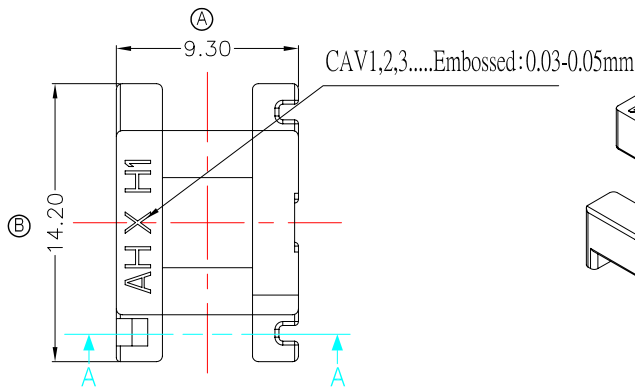




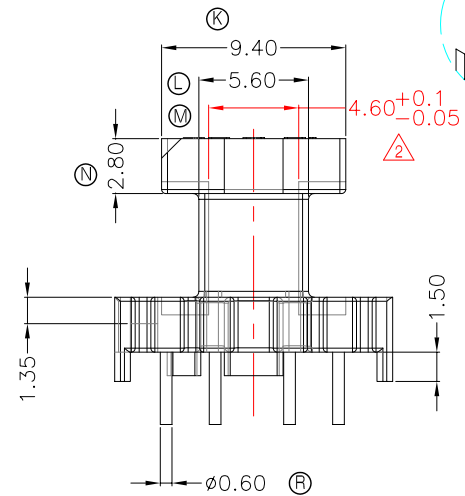
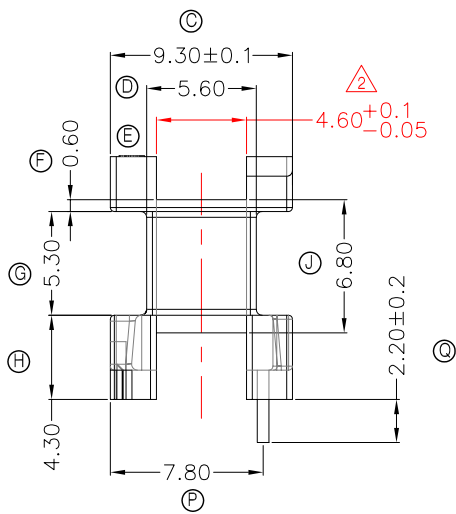
TRANSFORMER BOBBIN
INDUSTRIAL CO.,LTD.

Tel : 86-769-88789999 Fax : 86-769-88789989
http:// tbi-tw.com e-mail : tb6688@ms46.hinet.net

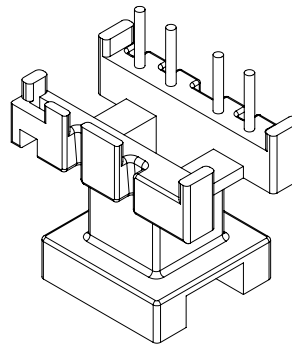
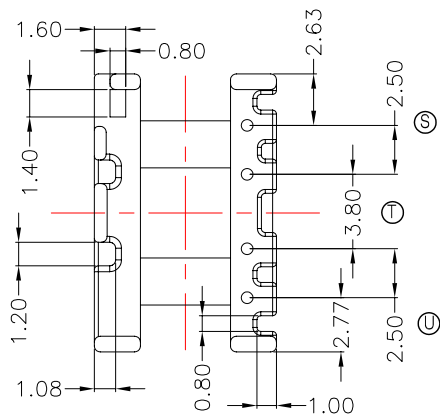
REVISIONS				
REV	SYM	DRAFTER	CHECKER	DATE
1		X.H.GU	G.F.YANG	05/07/11
2		X.H.GU	G.F.YANG	07/22/11
3				



Red part must not have burr. Required perforation
See detail B
Section A-A



Detail B



General Tolerance
0 < L <= 4 : ±0.1mm
4 < L <= 16 : ±0.2mm
16 < L <= 63 : ±0.3mm

Supporting the use of EE14 BOBBIN and EE14 BASE;

DWG NO.	EE14-4P-TH-B-11				
PART NO.	MATERIAL (BOBBIN)	MATERIAL (TERMINAL)	TERMINAL (PLATING)	PIN ALLOCATION	NOTE
TBI-201-22021.1106	PM-9630	CP WIRE	Sn	ALL PIN	H

Finish: 1. PB wire Immersion Sn on terminal : Thickness:Sn plating,100,5 μm (200 μ inches) min,Base nickel 0.625 μm (25 μ inches) min.
2. CP wire Immersion Sn on terminal : Thickness:Sn plating,100,5 μm (200 μ inches) min.
3. Coplanarity deviation: 0.10 mm (0.004 inches) max.

REV 2