



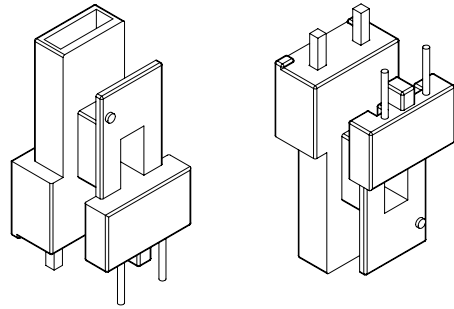
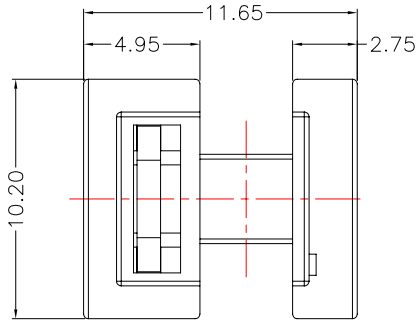
**TRANSFORMER BOBBIN  
INDUSTRIAL CO.,LTD.**

Tel : 86-769-88789999 Fax : 86-769-88789989  
http:// tbi-tw.com e-mail : tb6688@ms46.hinet.net

REVISIONS				
REV	SYM	DRAFTER	CHECKER	DATE
1		G.F.YANG	W.H.HSU	10/31/11
2				
3				

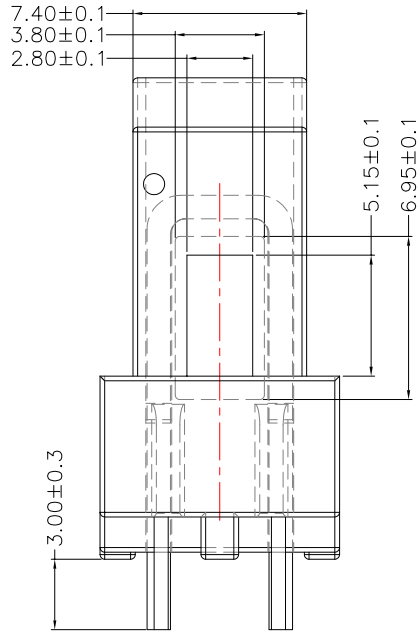
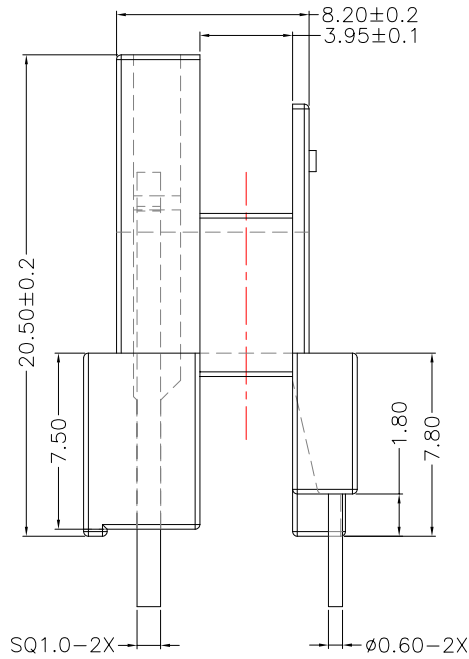
A

A



B

B

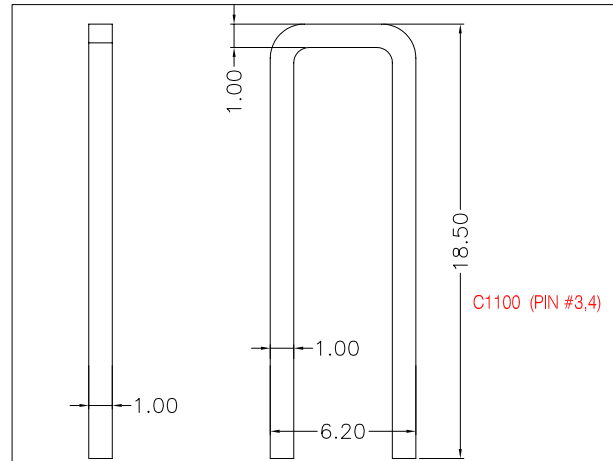
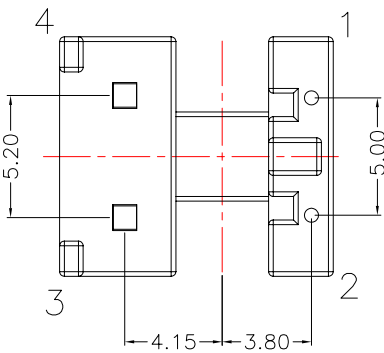


C

C

D

D



E

E

DWG NO.	EE10-11-4P-TH-5.0-J-12			MATERIAL (TERMINAL)請看 Finish 1;	
PART NO.	MATERIAL (BOBBIN)	MATERIAL (TERMINAL)	TERMINAL (PLATING)	PIN ALLOCATION	NOTE
TBI-201-14091.1206	PM-9820	CP WIRE (PIN #1,2) C1100 (PIN #3,4)	Sn	ALL PIN	S

F

F

	TOLERANCE: 0<L<4:±0.1 4<L<16:±0.2 16<L<63:±0.3	UNIT : m / m	SCALE 1 : 1
--	--	--------------	-------------

Finish: 1. PB wire Immersion Sn on terminal : Thickness:Sn plating,100,5 μm (200 μ inches) min,Base nickel 0.625 μm (25 μ inches) min.  
2. CP wire Immersion Sn on terminal : Thickness:Sn plating,100,5 μm (200 μ inches) min.  
3. Coplanarity deviation: 0.10 mm (0.004 inches) max.

REV	1
-----	---