

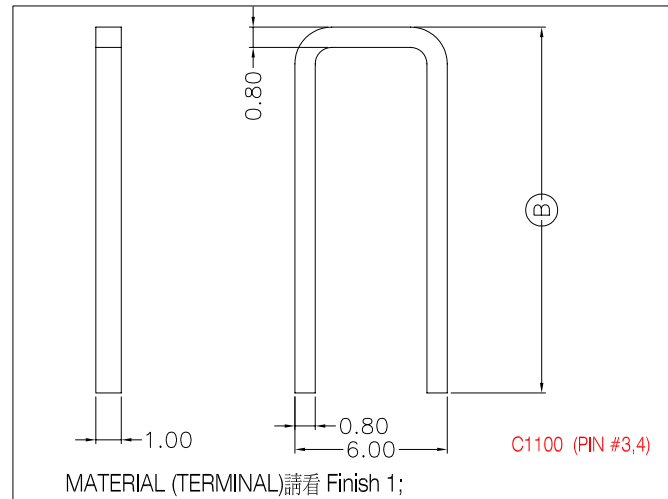
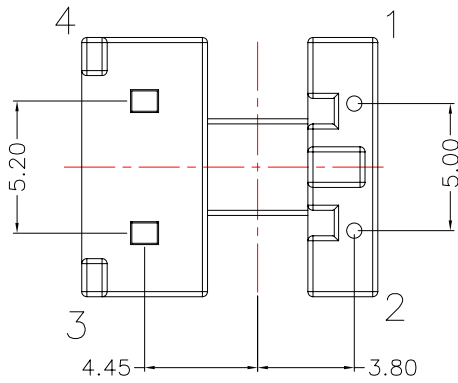
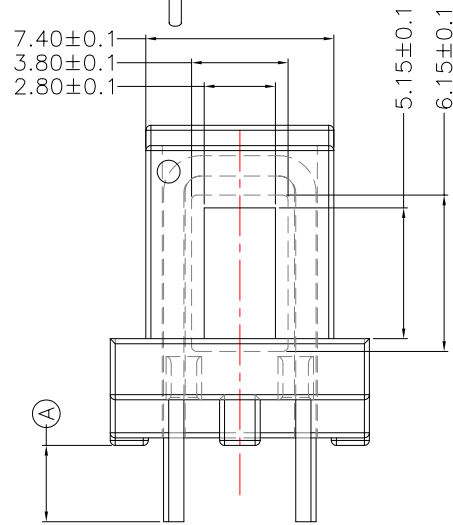
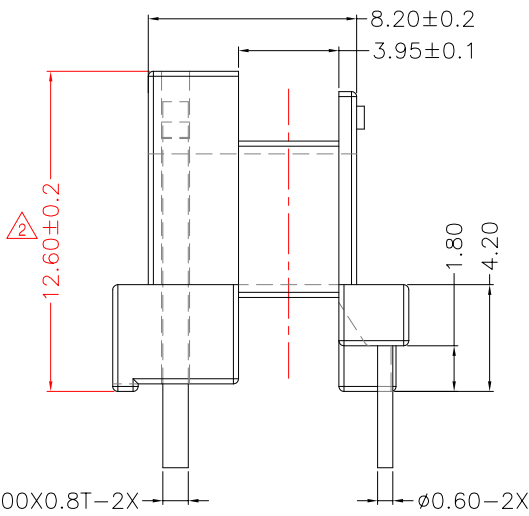
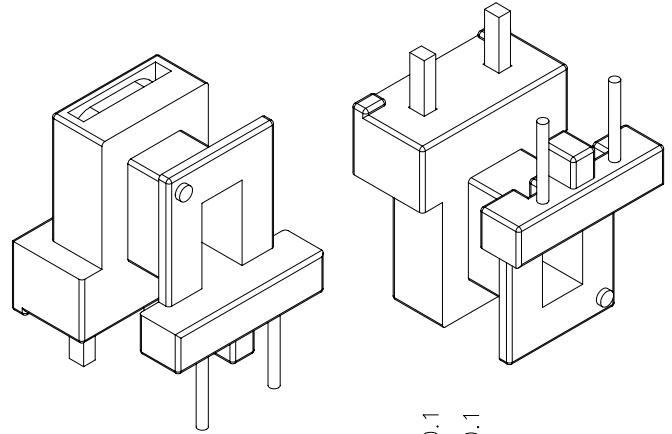
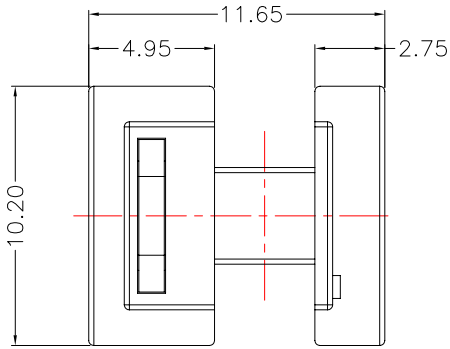


TRANSFORMER BOBBIN
INDUSTRIAL CO.,LTD.

Tel : 86-769-88789999 Fax : 86-769-88789989
http:// tbi-tw.com e-mail : tb6688@ms46.hinet.net

REVISIONS

REV	SYM	DRAFTER	CHECKER	DATE
△1		YAN.TANG	G.F.YANG	01/18/10
△2		G.F.YANG	W.H.HSU	03/22/13
△3				



DWG NO. EE10-11-4P-TH-5.0-G-12

PART NO.	MATERIAL (BOBBIN)	MATERIAL (TERMINAL)	TERMINAL (PLATING)	PIN ALLOCATION	NOTE
TBI-201-14071.1206	PM-9820	CP WIRE (PIN #1,2) C1100 (PIN #3,4)	Sn	ALL PIN (A)=3.0±0.2 (B)=14.4±0.2	H
TBI-201-14071.1216	PM-9820		Sn	ALL PIN (A)=3.2±0.2 (B)=14.6±0.2	
TBI-201-14071.1226	PM-9820		Sn	ALL PIN (A)=6.0±0.2 (B)=17.4±0.2	

TOLERANCE: 0<L<4:±0.1 4<L<16:±0.2 16<L<63:±0.3 UNIT : m / m SCALE 1 : 1

Finish: 1. PB wire Immersion Sn on terminal : Thickness:Sn plating,100,5 μm (200 μ inches) min,Base nickel 0.625 μm (25 μ inches) min.
2. CP wire Immersion Sn on terminal : Thickness:Sn plating,100,5 μm (200 μ inches) min.
3. Coplanarity deviation: 0.10 mm (0.004 inches) max.

REV 2