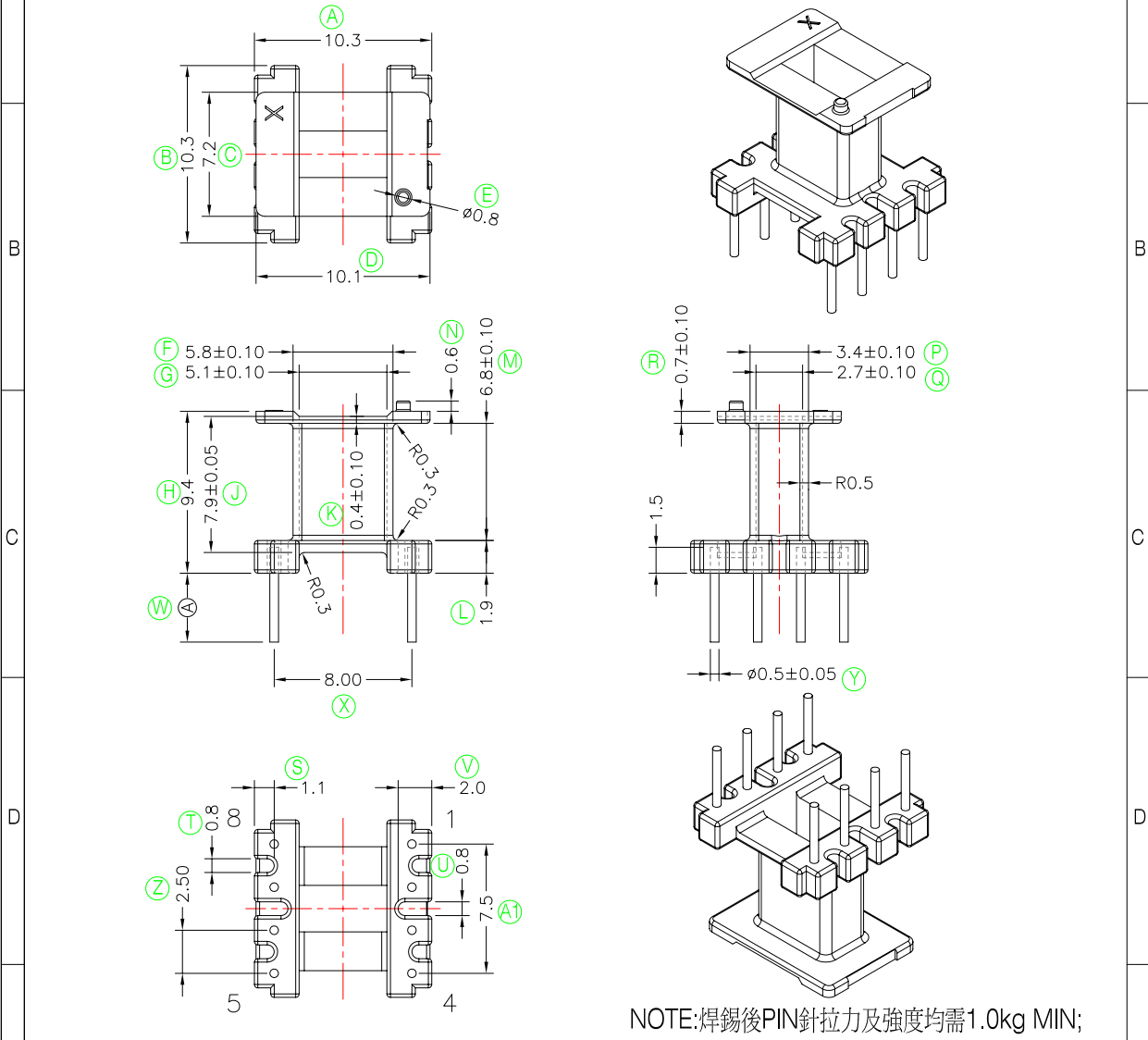


TBI TRANSFORMER BOBBIN INDUSTRIAL CO.,LTD.

Tel : 86-769-88789999 Fax : 86-769-88789989
 http:// tbi-tw.com e-mail : tb6688@ms46.hinet.net

REVISIONS				
REV	SYM	DRAFTER	CHECKER	DATE
△		YAN.TANG	G.F.YANG	02/05/09
△		YAN.TANG	G.F.YANG	02/17/09
△		YAN.TANG	G.F.YANG	11/20/09



NOTE: 焊錫後PIN針拉力及強度均需1.0kg MIN;

DWG NO.	EE10-8P-TH-2.5-C-11				
PART NO.	MATERIAL (BOBBIN)	MATERIAL (TERMINAL)	TERMINAL (PLATING)	PIN ALLOCATION	NOTE
TBI-201-14031.1106	PM-9630	CP WIRE	Sn	ALL PIN (A) = 4.0±0.5	
TBI-201-14031.1116	PM-9630	CP WIRE	Sn	CUT PIN # 6,7 (A) = 4.0±0.2 △	
TBI-201-14031.1126	PM-9630	CP WIRE	Sn	CUT PIN # 6,7 (A) = 5.0±0.2 △	
TBI-201-14031.1136	PM-9630	CP WIRE	Sn	CUT PIN # 4,5,7 (A) = 5.0±0.2 △	
TBI-201-14031.1146	PM-9630	CP WIRE	Sn	CUT PIN # 3,6,7 (A) = 3.7±0.5	
TBI-201-14031.1156	PM-9630	CP WIRE	Sn	CUT PIN # 1,4 (A) = 5.0±0.5	
TBI-201-14031.1166	PM-9630	CP WIRE	Sn	CUT PIN # 7,8 (A) = 6.0±0.5	
△ TBI-201-14031.1176	PM-9630	CP WIRE	Sn	CUT PIN # 2,3,5,7 (A) = 5.2±0.2	
△ TBI-201-14031.1186	PM-9630	CP WIRE	Sn	CUT PIN # 1,4 (A) = 5.50±0.2	
△ TBI-201-14031.1196	PM-9630	CP WIRE	Sn	CUT PIN # 1,4,5,8 (A) = 5.0±0.2	
△ TBI-201-14031.11A6	PM-9630	CP WIRE	Sn	CUT PIN # 3,6,7 (A) = 5.0±0.2	
△ TBI-201-14031.11B6	PM-9630	CP WIRE	Sn	CUT PIN # 3,6,7 (A) = 5.5±0.2	
TBI-201-14031.11C6	PM-9630	CP WIRE	Sn	CUT PIN # 2,3,5,6,7 (A) = 3.4±0.2	
TBI-201-14031.11D6	PM-9630	CP WIRE	Sn	CUT PIN # 2,3,5,6,7 (A) = 4.0±0.2	
TBI-201-14031.11E6	PM-9630	CP WIRE	Sn	CUT PIN # 2,3,4,6,7 (A) = 5.5±0.2	
TBI-201-14031.11F6	PM-9630	CP WIRE	Sn	CUT PIN # 1,3,5,6,8 (A) = 5.5±0.2	
TBI-201-14031.11G6	PM-9630	CP WIRE	Sn	CUT PIN # 3,4,5,6,7 (A) = 4.0±0.2	
TBI-201-14031.11H6	PM-9630	CP WIRE	Sn	CUT PIN # 2,6,7 (A) = 3.4±0.2	
TBI-201-14031.11J6	PM-9630	CP WIRE	Sn	CUT PIN # 3,4,5,6,7 (A) = 5.5±0.2	
TBI-201-14031.11K6	PM-9630	CP WIRE	Sn	CUT PIN # 3,6,7 (A) = 4.7±0.2	
TOLERANCE: .X±0.2 .XX±0.1				UNIT : m / m	SCALE 3 : 1
Finish: 1. PB wire Immersion Sn on terminal : Thickness:Sn plating,100.5 μm (200 μ inches) min,Base nickel 0.625 μm (25 μ inches) min. 2. CP wire Immersion Sn on terminal : Thickness:Sn plating,100.5 μm (200 μ inches) min. 3. Coplanarity deviation: 0.10 mm (0.004 inches)max.					REV 4