

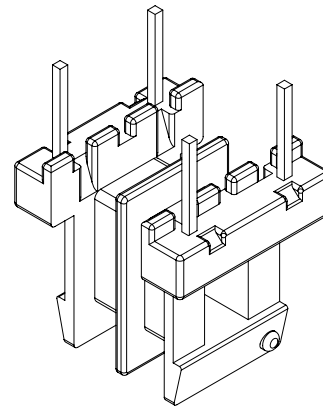
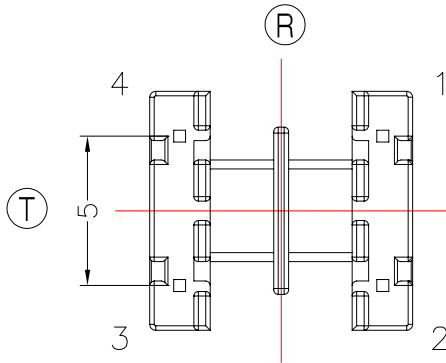
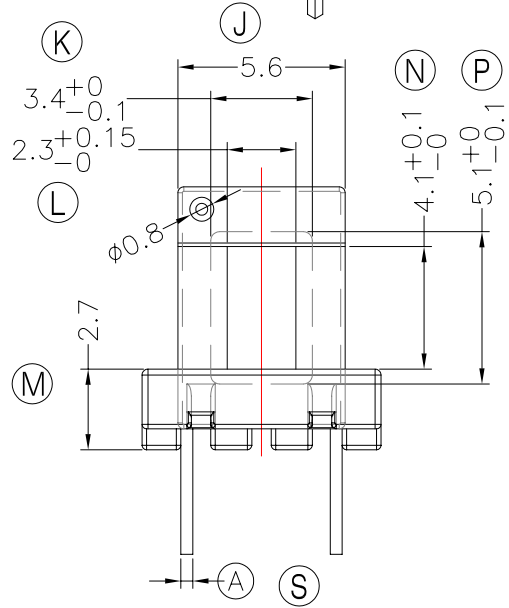
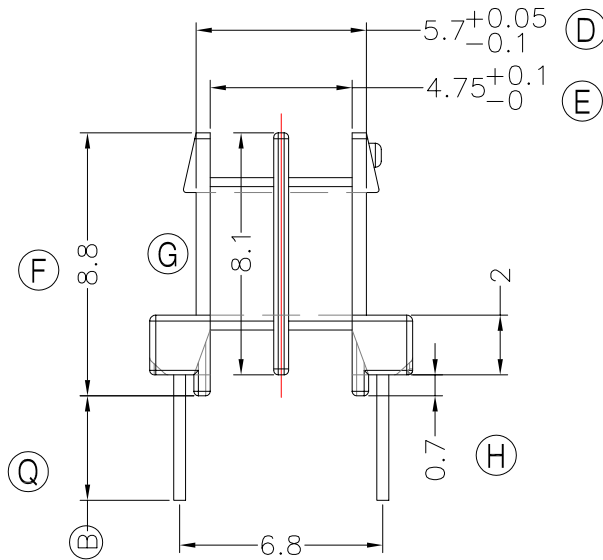
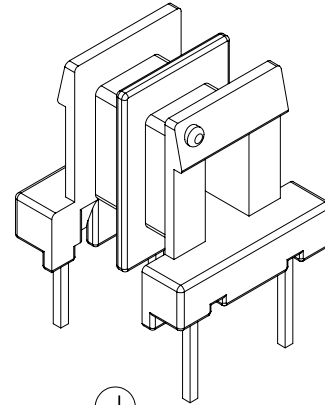
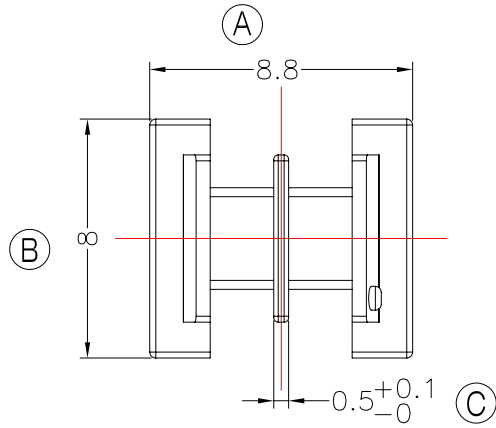


TRANSFORMER BOBBIN
INDUSTRIAL CO.,LTD.

Tel : 86-769-88789999 Fax : 86-769-88789989
http:// tbi-tw.com e-mail : tb6688@ms46.hinet.net

REVISIONS

REV	SYM	DRAFTER	CHECKER	DATE
①		YAN.TANG	G.F.YANG	03/30/10
②				
③				



DWG NO. EE8.3-4P-TH-5.0-D-12-2S

PART NO.	MATERIAL (BOBBIN)	MATERIAL (TERMINAL)	TERMINAL (PLATING)	PIN ALLOCATION	NOTE
----------	-------------------	---------------------	--------------------	----------------	------

TBI-201-23042.1206	PM-9820	CP WIRE(3/4H)	Sn	ALL PIN(A)=SQ0.4±0.05(B)=3.5±0.15	
TBI-201-23042.1216	PM-9820	CP WIRE(3/4H)	Sn	ALL PIN(A)=φ0.5±0.05(B)=3.5±0.15	H
TBI-201-23042.1226	PM-9820	CP WIRE(3/4H)	Sn	ALL PIN(A)=SQ0.4±0.05(B)=2.7±0.3	
TBI-201-23042.1236	PM-9820	CP WIRE(3/4H)	Sn	ALL PIN(A)=SQ0.4±0.05(B)=3.1±0.15	
TBI-201-23042.1246	PM-9820	CP WIRE(3/4H)	Sn	ALL PIN(A)=φ0.5±0.05(B)=3.2±0.2	Pin根部要打點外露, 規格:1.2 MAX 0.05深
TBI-201-23042.1256	PM-9820	CP WIRE(3/4H)	Sn	ALL PIN(A)=SQ0.4±0.05(B)=3.0±0.15	
TBI-201-23042.1266	PM-9820	CP WIRE(3/4H)	Sn	ALL PIN(A)=SQ0.4±0.05(B)=4.0±0.2	

TOLERANCE: 0<L<=4:±0.1 4<L<=16:±0.2 16<L<=63:±0.3

UNIT : m/m

SCALE 1 : 1

Finish: 1. PB wire Immersion Sn on terminal : Thickness:Sn plating,100,5 μm (200 μ inches) min,Base nickel 0.625 μm (25 μ inches) min.
2. CP wire Immersion Sn on terminal : Thickness:Sn plating,100,5 μm (200 μ inches) min.
3. Coplanarity deviation: 0.10 mm (0.004 inches) max.

REV 1