

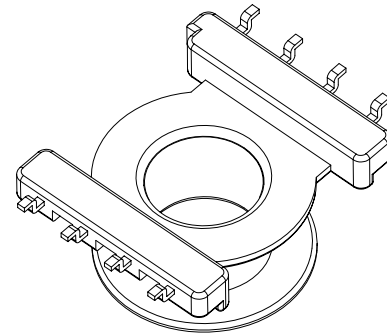
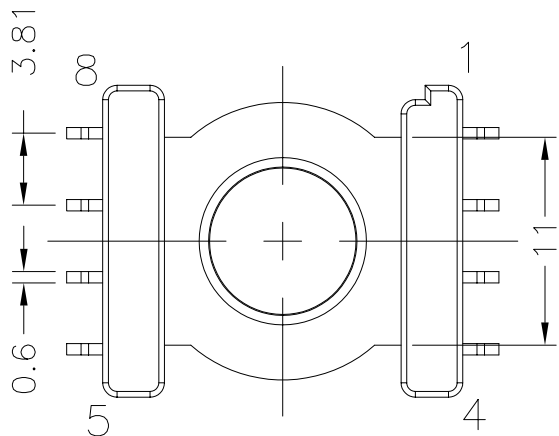
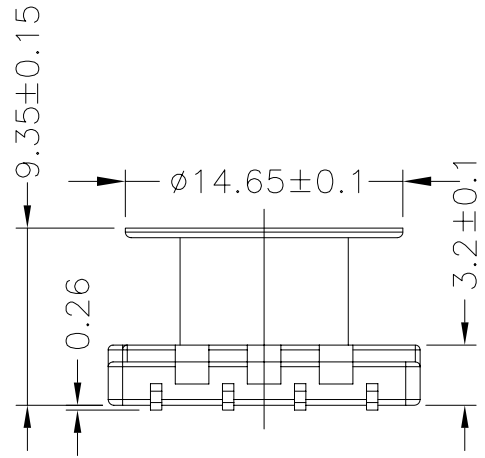
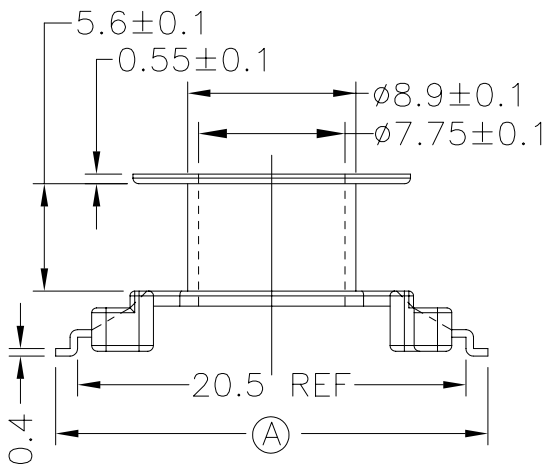
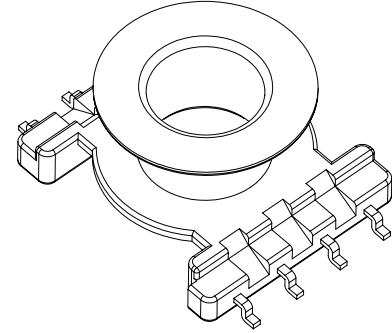
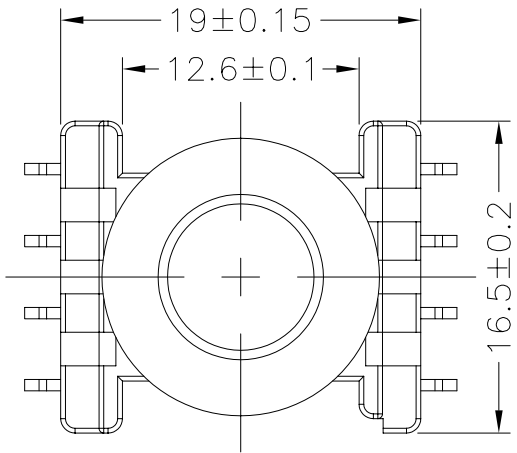


**TRANSFORMER BOBBIN INDUSTRIAL CO.,LTD.**

Tel : 86-769-88789999 Fax : 86-769-88789989  
 http:// tbi-tw.com e-mail : tb6688@ms46.hinet.net

REVISIONS

REV	SYM	DRAFTER	CHECKER	DATE
△2		T.S.LII	W.H.HSU	10/23/02
△3		T.S.LII	W.H.HSU	07/24/03
△4		T.S.LII	W.H.HSU	07/25/06



DWG NO.	CUT18X11-8P-GW-3.81-A-1				
PART NO.	MATERIAL (BOBBIN)	MATERIAL (TERMINAL)	TERMINAL (PLATING)	PIN ALLOCATION	NOTE
TBI-110-02011.103	PM-9630	P.B	Sn	ALL PIN (A)=23±0.15	
TBI-110-02011.113	PM-9630	P.B	Sn	ALL PIN (A)=23.8±0.15	
TOLERANCE: .X±0.15 .XX±0.10 .XXX±0.05			UNIT : m / m	SCALE 2.5 : 1	

Finish: 1. Immersion gold on terminal : Thickness gold 0.075 μm (3 μ inches) min, Base nickel 0.625 μm (25 μ inches) min.  
 2. Immersion Sn on terminal : Terminal:Sn plating, 100, 5 μm (200 μ inches) min , Base nickel 0.625 μm (25 μ inches) min.  
 3. Coplanarity deviation: 0.10 mm (0.004 inches) max.

REV 4