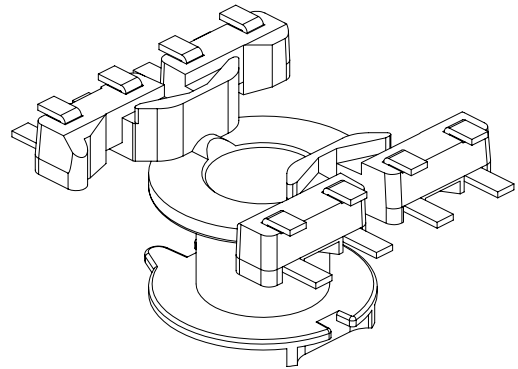
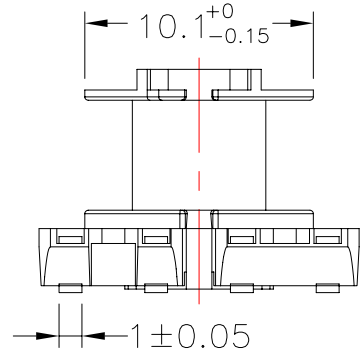
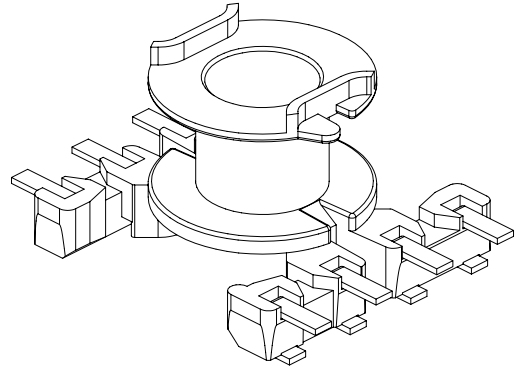
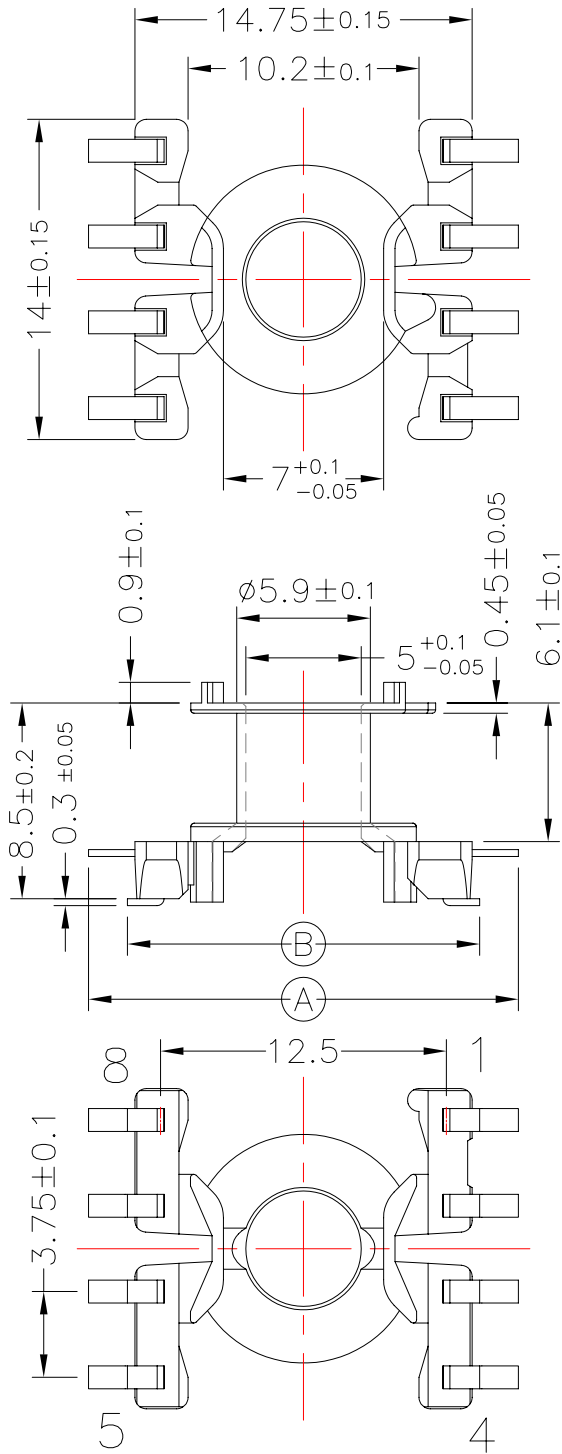




TRANSFORMER BOBBIN
INDUSTRIAL CO., LTD.

Tel : 86-769-88789999 Fax : 86-769-88789989
http:// tbi-tw.com e-mail : tb6688@ms46.hinet.net

REVISIONS				
REV	SYM	DRAFTER	CHECKER	DATE
⑥		T.S.LII	W.H.HSU	06/28/06
⑦		T.S.LII	W.H.HSU	07/25/06
⑧		T.S.LII	W.H.HSU	05/02/07



DWG NO.	RM5-8P-J-3.75-B-1				
PART NO.	MATERIAL (BOBBIN)	MATERIAL (TERMINAL)	TERMINAL (PLATING)	PIN ALLOCATION	NOTE
TBI-108-03021.103	PM-9630	PB C5191	Sn	ALL PIN(A)=18.8±0.2(B)=15.4±0.2	
TBI-108-03021.113	PM-9630	PB C5191	Sn	ALL PIN(A)=17.8±0.2(B)=15.2±0.2	
TBI-108-03021.126	PM-9630	CP WIRE	Sn	ALL PIN(A)=18.8±0.2(B)=15.4±0.2	
TOLERANCE :			.X ±0.15	.XX ±0.10	.XXX ±0.05
				UNIT : m / m	SCALE 3 : 1

Finish: 1. PB wire Immersion Sn on terminal : Thickness:Sn plating,100,5 μm (200 μ inches) min,Base nickel 0.625 μm (25 μ inches) min.
 2. CP wire Immersion Sn on terminal : Thickness:Sn plating,100,5 μm (200 μ inches) min.
 3. Coplanarity deviation: 0.10 mm (0.004 inches) max.

REV	8
-----	---