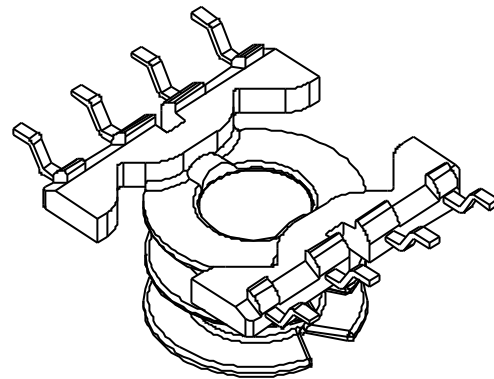
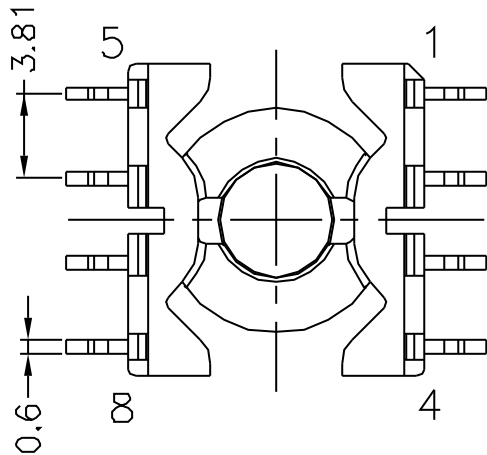
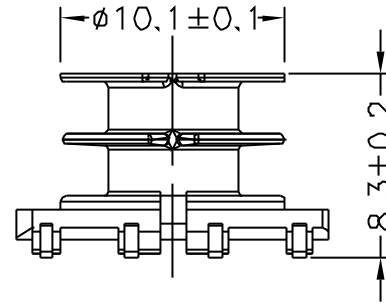
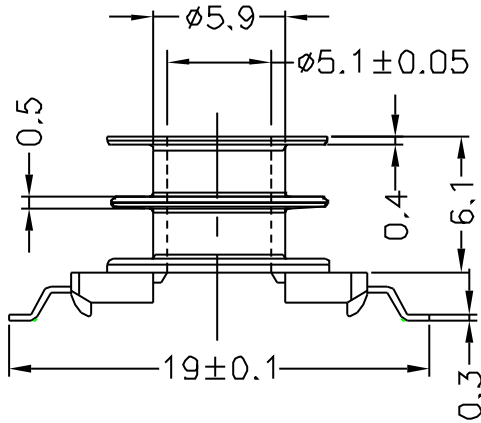
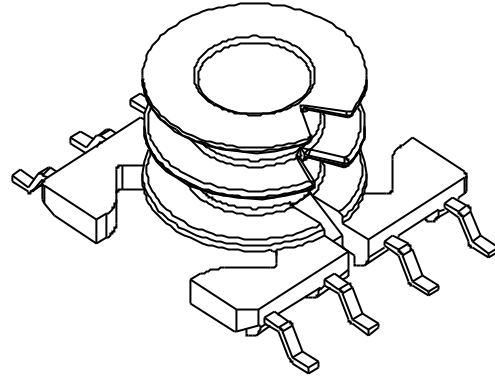
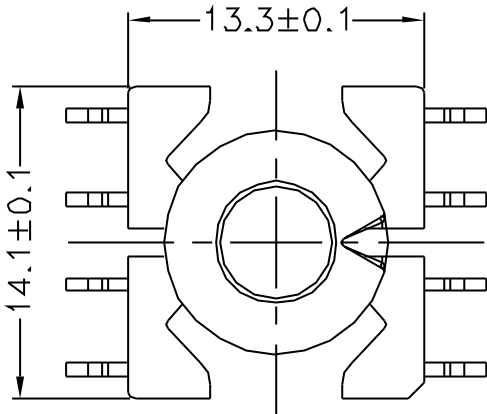


TBI TRANSFORMER BOBBIN INDUSTRIAL CO.,LTD.

Phone 886-2-22925599 Fax 886-2-22925288
E-MAIL: tbi@tbi.com.tw

REVISIONS

REV	SYM	DRAFTER	CHECKER	DATE
▲		T.S.LI	W.H.HSU	07/26/02
▲				
▲				



PART NO. RM5-BP-GW-3.81-A-1-2S

DWG NO. TBI-108-03012.1XX

TBI NO.	MATERIAL (BOBBIN)	MATERIAL (TERMINAL)	TERMINAL (PLATING)
108-03012.1XX	PM-9830	PB	AU

PART NO.

REV

.101

MODE NO

ALL PIN

PIN LOCATION

Finish:

1. Immersion gold on terminal.
Thickness gold 0.075 μ m (3 μ inches) min.
Base nickel 0.625 μ m (25 μ inches) min.
2. Coplanarity deviation: 0.004 inches max.

TOLERANCE

$\frac{X}{XX}$

UNIT

mm

SCALE

3:1

REV

†