

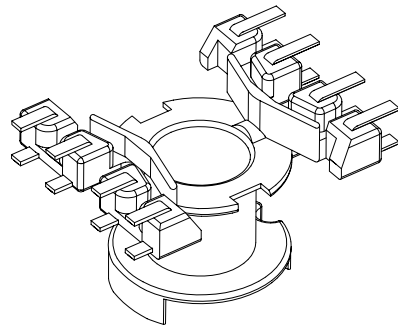
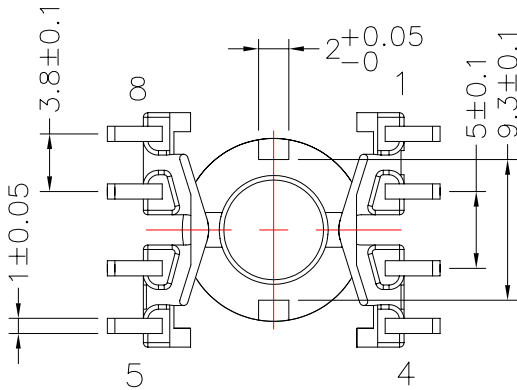
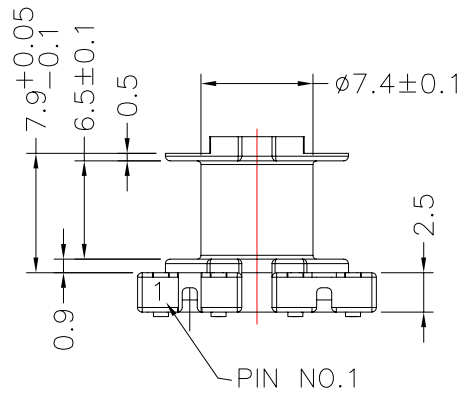
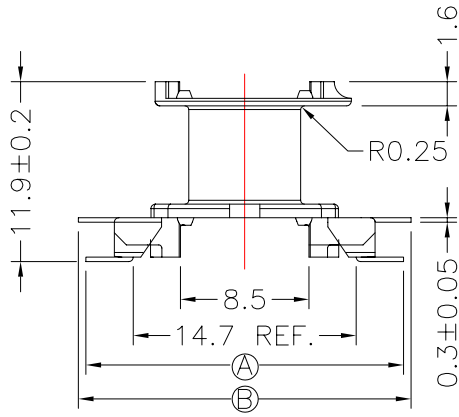
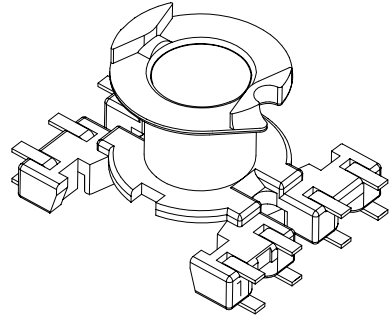
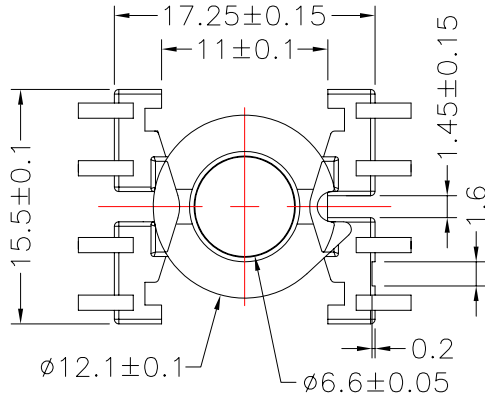


# TRANSFORMER BOBBIN INDUSTRIAL CO.,LTD.

Tel : 86-769-88789999 Fax : 86-769-88789989  
http:// tbi-tw.com e-mail : tb6688@ms46.hinet.net

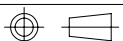
## REVISIONS

| REV | SYM | DRAFTER  | CHECKER  | DATE     |
|-----|-----|----------|----------|----------|
| △1  |     | S.Y.TANG | G.F.YANG | 06/17/08 |
| △2  |     |          |          |          |
| △3  |     |          |          |          |



DWG NO. RM6-8P-J-3.8-D-31

| PART NO.           | MATERIAL (BOBBIN) | MATERIAL (TERMINAL) | TERMINAL (PLATING) | PIN ALLOCATION                     | NOTE |
|--------------------|-------------------|---------------------|--------------------|------------------------------------|------|
| TBI-108-02041.3106 | LCP E-4008        | C.P WIRE            | Sn                 | ALL PIN<br>Ⓐ = 18± 0.5 Ⓑ = 21± 0.5 |      |
| TBI-108-02041.3116 | LCP E-4008        | C.P WIRE            | Sn                 | ALL PIN<br>Ⓐ = 21± 0.5 Ⓑ = 21± 0.5 |      |



TOLERANCE: .X±0.15 .XX±0.10 .XXX±0.05

UNIT : m / m

SCALE 2 : 1

Finish: 1. Pb wire Immersion Sn on terminal : Thickness:Sn plating,100,5 μm (200 μ inches) min,Base nickel 0.625 μm (25 μ inches) min.  
2. CP wire Immersion Sn on terminal : Thickness:Sn plating,100,5 μm (200 μ inches) min.  
3. Coplanarity deviation: 0.10 mm (0.004 inches) max.

REV 1