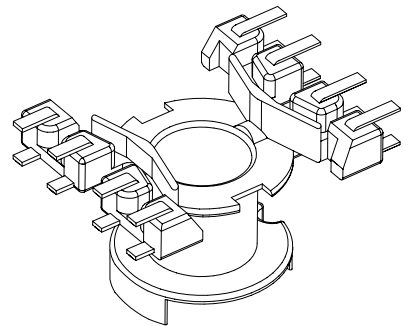
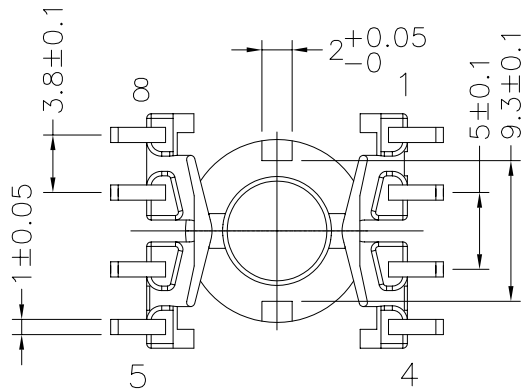
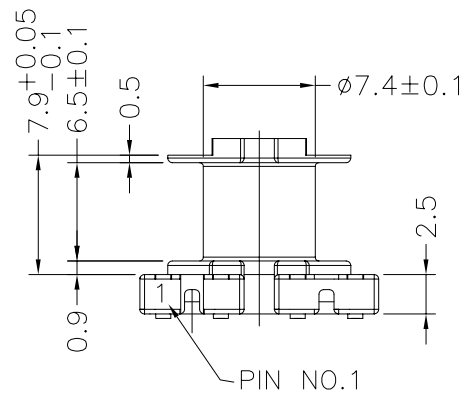
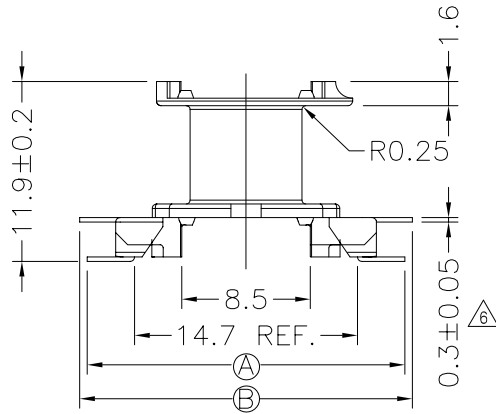
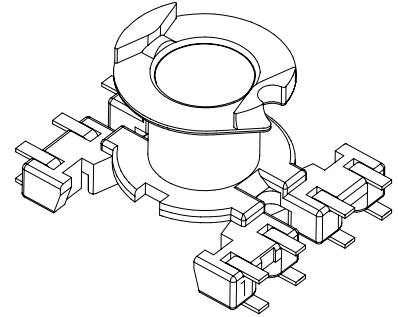
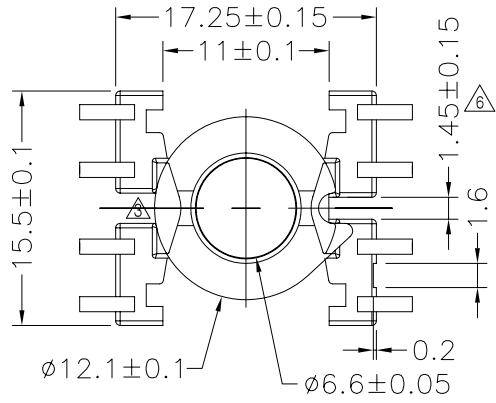


TBI TRANSFORMER BOBBIN INDUSTRIAL CO.,LTD.

Tel : 86-769-88789999 Fax : 86-769-88789989
 http:// tbi-tw.com e-mail : tb6688@ms46.hinet.net

REVISIONS				
REV	SYM	DRAFTER	CHECKER	DATE
\triangle 4		T.S.LII	W.H.HSU	07/25/06
\triangle 5		Y.G.HSU	W.H.HSU	01/12/07
\triangle 6		Y.G.HSU	W.H.HSU	05/07/07



DWG NO.	RM6-8P-J-3.8-D-13				
PART NO.	MATERIAL (BOBBIN)	MATERIAL (TERMINAL)	TERMINAL (PLATING)	PIN ALLOCATION	NOTE
TBI-108-02041.1303	PM-9630JT	P.B C5191 \triangle 4	Sn	ALL PIN A=18±0.5 B=21±0.5	
TBI-108-02041.1306	PM-9630JT	CP WIRE	Sn	ALL PIN A=18±0.5 B=21±0.5	
TBI-108-02041.1316	PM-9630JT	CP WIRE	Sn	ALL PIN A=20.9±0.3 B=20.9±0.3	
TOLERANCE: .X±0.15 .XX±0.10 .XXX±0.05 UNIT : m / m SCALE 2 : 1					
Finish: 1. Pb wire Immersion Sn on terminal : Thickness:Sn plating,100,5 μm (200 μm inches) min,Base nickel 0.625 μm (25 μm inches) min. 2. CP wire Immersion Sn on terminal : Thickness:Sn plating,100,5 μm (200 μm inches) min. 3. Coplanarity deviation: 0.10 mm (0.004 inches)max.					
					REV 6