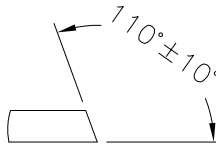
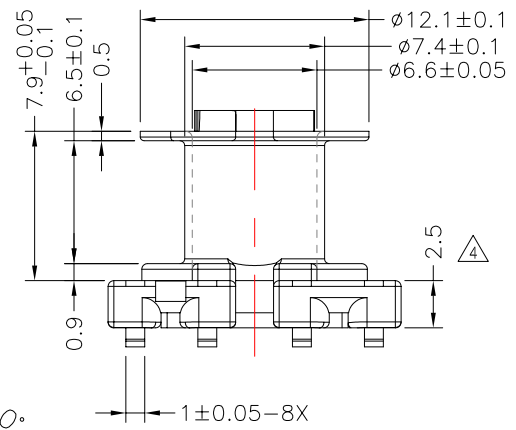
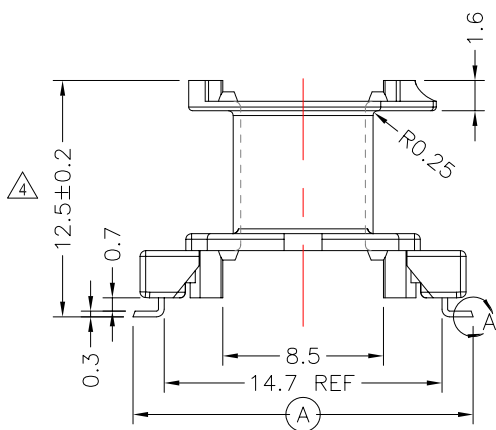
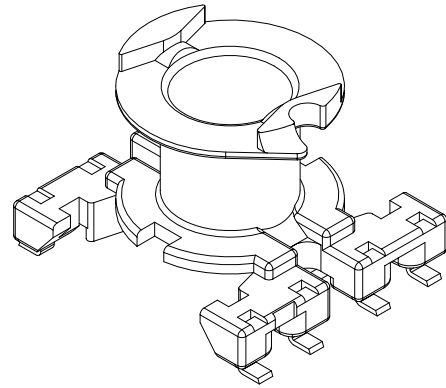
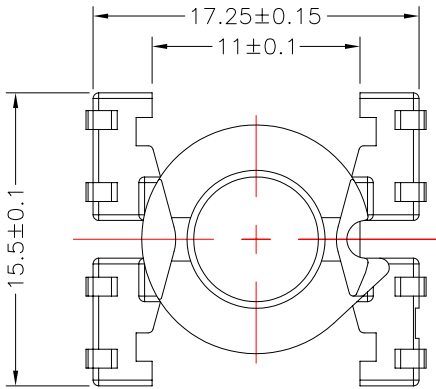




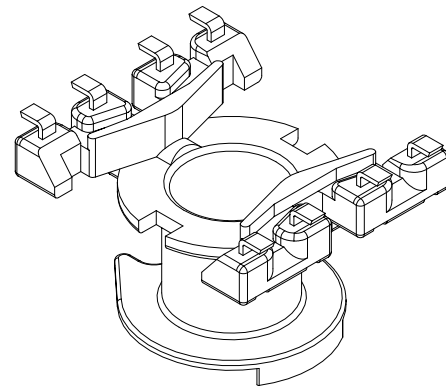
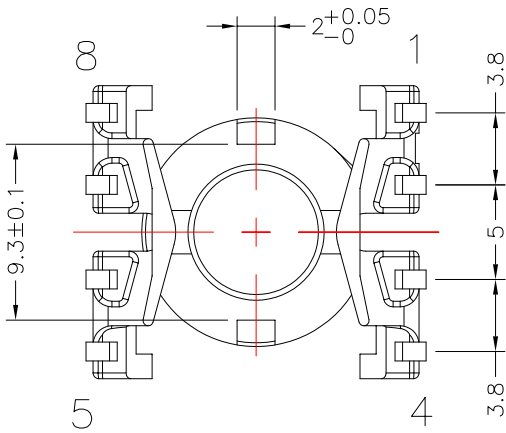
TRANSFORMER BOBBIN INDUSTRIAL CO.,LTD.

Tel : 86-769-88789999 Fax : 86-769-88789989
http:// tbi-tw.com e-mail : tb6688@ms46.hinet.net

REVISIONS				
REV	SYM	DRAFTER	CHECKER	DATE
2		T.S.LII	W.H.HSU	10/09/03
3		T.S.LII	W.H.HSU	07/25/06
4		S.Y.TANG	G.F.YANG	06/19/08



DETAIL:A-10:1
PATENTED



DWG NO.	RM6-8P-L-3.8-C-1				
PART NO.	MATERIAL (BOBBIN)	MATERIAL (TERMINAL)	TERMINAL (PLATING)	PIN ALLOCATION	NOTE
TBI-108-02031.106	PM-9630	CP WIRE	Sn	ALL PIN (A) =18±0.2	
TBI-108-02031.116	PM-9630	CP WIRE	Sn	ALL PIN (A) =21±0.2	

	TOLERANCE:	.X±0.15	.XX±0.10	.XXX±0.05	UNIT : m / m	SCALE 2.5 : 1
--	------------	---------	----------	-----------	--------------	---------------

Finish: 1. Pb wire Immersion Sn on terminal : Thickness:Sn plating,100,5 μm (200 μ inches) min,Base nickel 0.625 μm (25 μ inches) min.
 2. CP wire Immersion Sn on terminal : Thickness:Sn plating,100,5 μm (200 μ inches) min.
 3. Coplanarity deviation: 0.10 mm (0.004 inches) max.

REV 4