

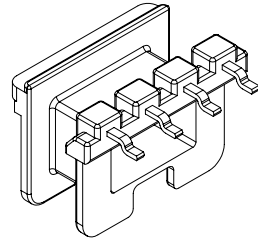
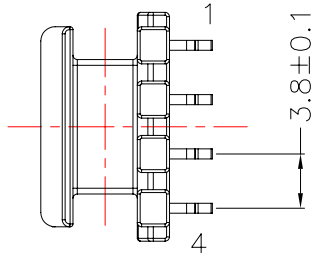
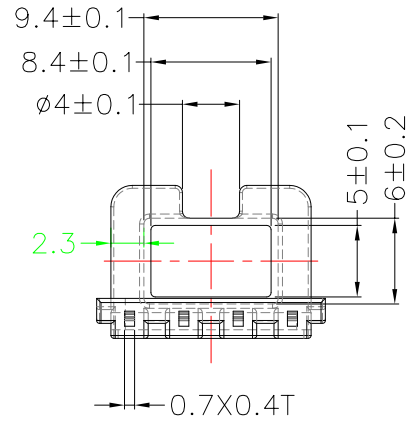
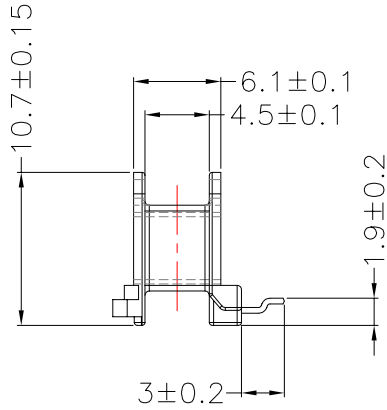
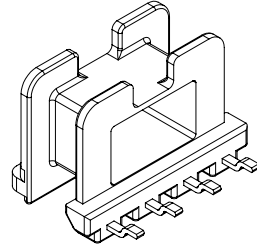
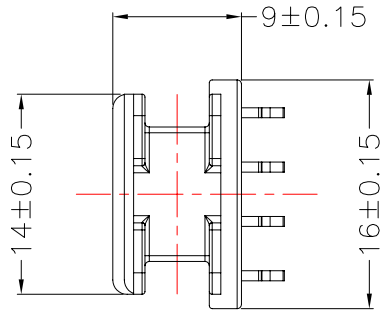


TRANSFORMER BOBBIN INDUSTRIAL CO., LTD.

Tel: 86-769-88789999 Fax : 86-769-88789989
http:// tbi-tw.com e-mail : tb6688@ms46.hinet.net

REVISIONS

REV	SYM	DRAFTER	CHECKER	DATE
1		G.F.YANG	W.H.HSU	12/24/09
2				
3				



NOTE:
WINDING SPACE: 4.5mm*2.3mm=10.35mm²

DWG NO.

EFD20.3-13-4P-GW-0A-12

PART NO.

MATERIAL (BOBBIN)

MATERIAL (TERMINAL)

TERMINAL (PLATING)

PIN ALLOCATION

NOTE

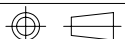
TBI-107-10011.1206

PM-9820

CP WIRE

Sn

ALL PIN



TOLERANCE:0<L<=4:±0.1 4<L<=16:±0.2 16<L<=63:±0.3

UNIT : m / m

SCALE 1 : 1

Finish: 1. PB wire Immersion Sn on terminal : Thickness:Sn plating,100,5 µm (200 µ inches) min,Base nickel 0.625 µm (25 µ inches) min.
2. CP wire Immersion Sn on terminal : Thickness:Sn plating,100,5 µm (200 µ inches) min.
3. Coplanarity deviation: 0.10 mm (0.004 inches) max.

REV

1