

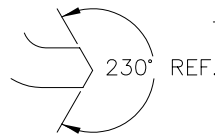
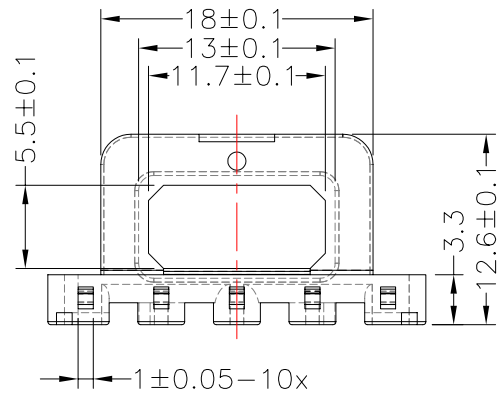
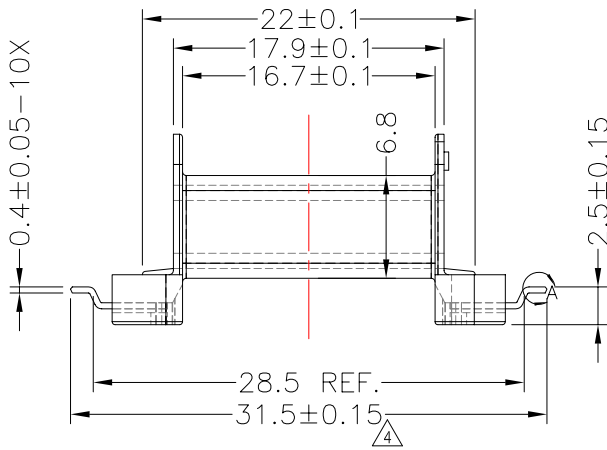
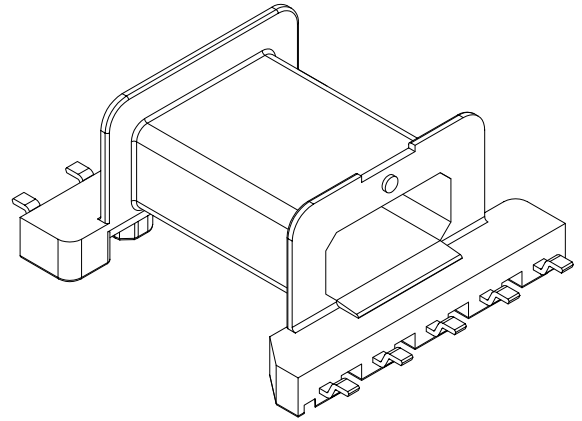
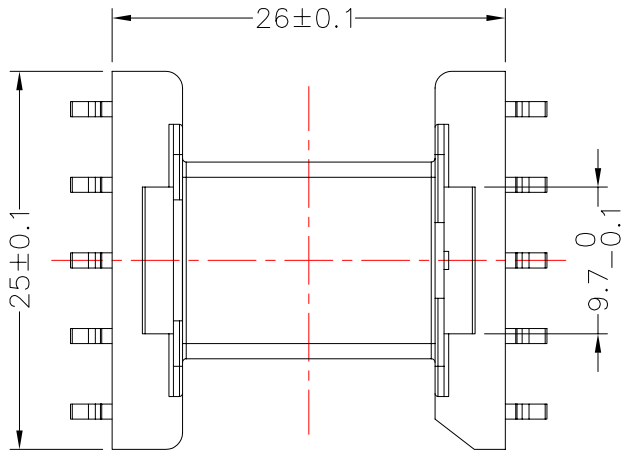


TRANSFORMER BOBBIN INDUSTRIAL CO.,LTD.

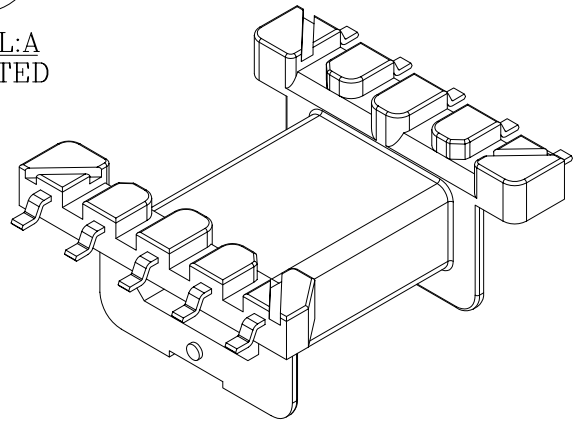
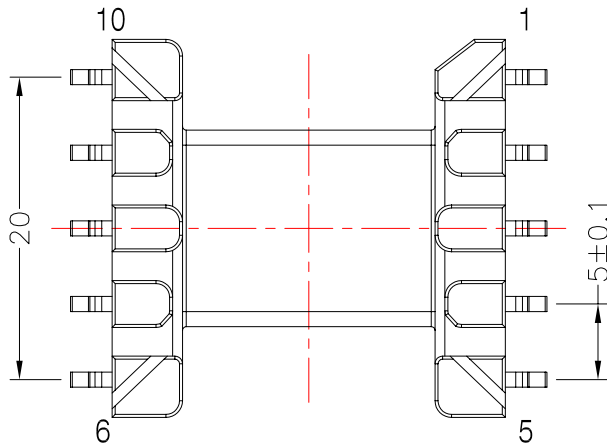
Tel : 86-769-88789999 Fax : 86-769-88789989
 http:// tbi-tw.com e-mail : tb6688@ms46.hinet.net

REVISIONS

REV	SYM	DRAFTER	CHECKER	DATE
△2		Y.G.HSU	W.H.HSU	04/02/07
△3		Y.G.HSU	W.H.HSU	05/19/07
△4		Y.G.HSU	W.H.HSU	05/22/07



DETAIL:A
PATENTED



DWG NO. EFD25-10P-GW-5-1A-1

PART NO.	MATERIAL (BOBBIN)	MATERIAL (TERMINAL)	TERMINAL (PLATING)	PIN ALLOCATION	NOTE
TBI-107-02101.103	PM-9630JT	P.B (C5191)	Sn	ALL PIN	
△2 TBI-107-02101.113	PM-9630JT	P.B (C5191)	Sn	PIN CUT #2,4,7,8,9 △3	

TOLERANCE: .X±0.15 .XX±0.10 .XXX±0.05

UNIT : m / m

SCALE 2 : 1

Finish: 1. Pb wire Immersion Sn on terminal : Thickness:Sn plating,100,5 μm (200 μ inches) min,Base nickel 0.625 μm (25 μ inches) min.
 2. CP wire Immersion Sn on terminal : Thickness:Sn plating,100,5 μm (200 μ inches) min.
 3. Coplanarity deviation: 0.10 mm (0.004 inches) max.

REV 4