

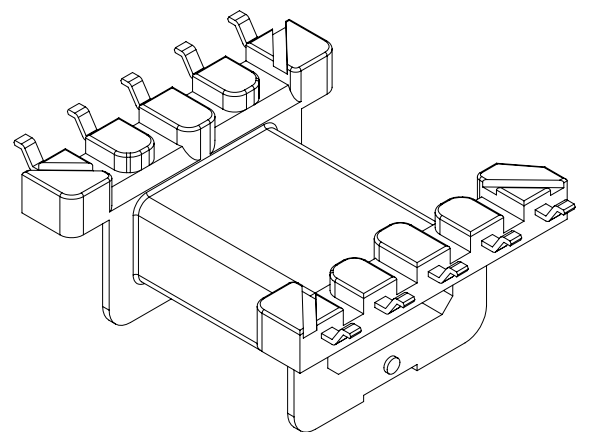
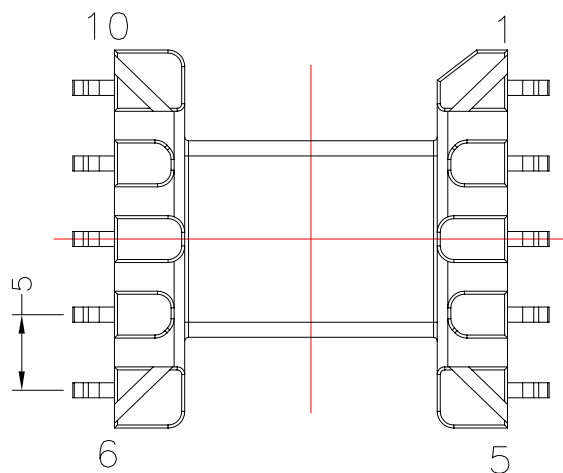
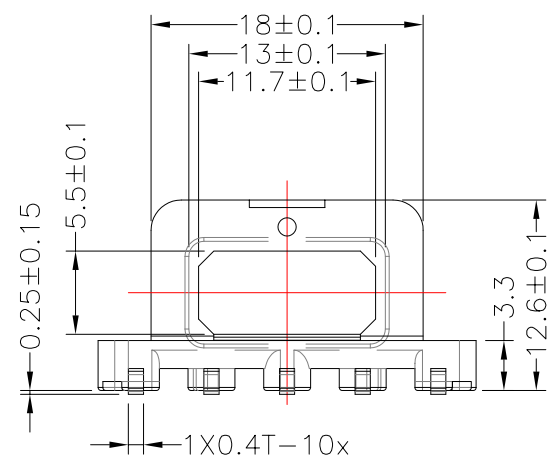
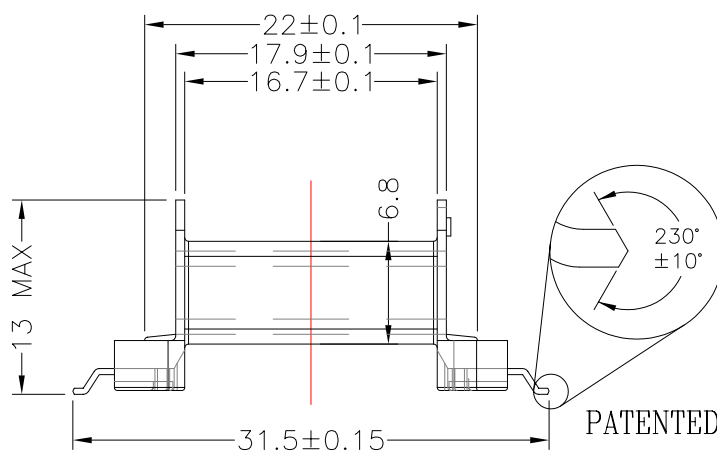
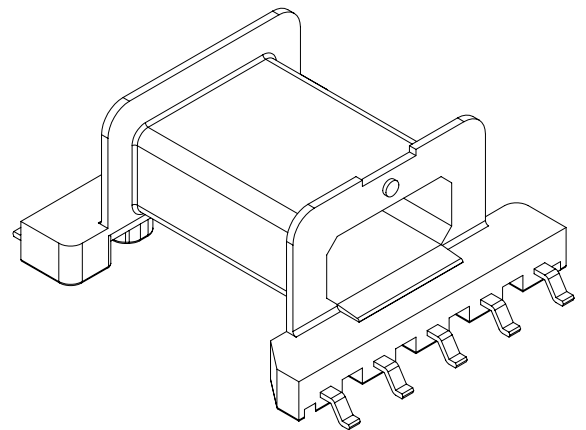
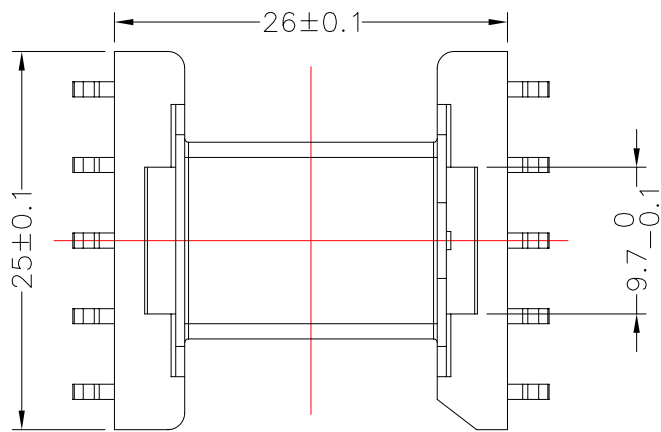


**TRANSFORMER BOBBIN
INDUSTRIAL CO.,LTD.**

Tel : 86-769-88789999 Fax : 86-769-88789989
http:// tbi-tw.com e-mail : tb6688@ms46.hinet.net

REVISIONS

REV	SYM	DRAFTER	CHECKER	DATE
①		YAN.TANG	G.F.YANG	07/09/09
②		YAN.TANG	G.F.YANG	11/13/09
③				



DWG NO. EFD25-10P-GW-5-0J-12

PART NO.	MATERIAL (BOBBIN)	MATERIAL (TERMINAL)	TERMINAL (PLATING)	PIN ALLOCATION	NOTE
TBI-107-02091.1203	PM-9820 △	PB (C5191)	Sn	ALL PIN	
TBI-107-02091.1213	PM-9820 △	PB (C5191)	Sn	CUT PIN# 7,8	

TBI-107-02091.1203

PM-9820 △

PB (C5191)

Sn

ALL PIN

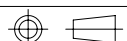
TBI-107-02091.1213

PM-9820 △

PB (C5191)

Sn

CUT PIN# 7,8



TOLERANCE: .X±0.15 .XX±0.10 .XXX±0.05

UNIT : m / m

SCALE 2 : 1

Finish: 1. PB wire Immersion Sn on terminal : Thickness:Sn plating,100,5 μ m (200 μ inches) min,Base nickel 0.625 μ m (25 μ inches) min.
2. CP wire Immersion Sn on terminal : Thickness:Sn plating,100,5 μ m (200 μ inches) min.
3. Coplanarity deviation: 0.10 mm (0.004 inches) max.

REV 2